



NUOVE TECNOLOGIE DEL FREDDO

INNOVATION  
IN ICE MAKERS  
SINCE 1991





WHO  
WE ARE

WHAT  
WE DO

	MATRICOLA OPERATORE
Filtro	103
	103
Finale	103

011 4000 1111 1111  
P. 011 4000 1111



NUOVE TECNOLOGIE DEL FREDDO

**N.T.F. S.r.l.**  
**Nuove Tecnologie del Freddo**

Via dell'Industria, 10/B  
20020 - Villa Cortese (MI)

Tel. +39 0331 43 62 17

Fax +39 0331 43 62 18

[www.ntfice.it](http://www.ntfice.it) [info@ntfice.it](mailto:info@ntfice.it)



	MATRICOLA OPERATORE
Filtro	103
	203
Finale	103



**Innovation  
is the aim that  
inspires our  
company  
and production  
system**

Since 1991 NTF produces and satisfies its clients all over the world.

Cooling, refreshing, preserving: our business is ice. Our constant research and continuous development give us a unique knowledge.

Our ice is crystalline, compact, thirst-quenching, and above all cold, very cold ice. If you need ice every day, NTF guarantees the best in professionalism, competence, technology and design. NTF produces every kind of ice to refresh every occasions.

All NTF 's ice makers satisfy the highest quality standards and are certified by the CE and TÜV Rheinland (Technischer Überwachungs-Verein) marks and comply with local quality standards in the majority of countries we operate.

Subsequently our ice makers are able to grant the best production and energy saving efficiency while never compromising the quality or aesthetic looks of the ice.

Our design and the use of AISI 304 Scotch Brite, allow NTF ice makers to complement any furnishing or room.

NTF constantly invests in high qualified staff and a safe workplace, in the application of progressively advanced technologies, pursuing innovation, research and aiming for an excellent result.

*Our primary mission is the full satisfaction of all your customers.*



To ensure compliance of ice makers to the highest standards, NTF obtained in 2007 the UNI EN ISO 9001: 2008 certification.

To guarantee the best performances, all the NTF's ice makers are exposed to constant quality tests, both electrical and functional.

These are in compliance to CE directives and have obtained the TÜV Rheinland mark approval; they are also recognized by the principles European and international certification bodies obtaining the following approvals: EAC, UKR, KC, S-MARK, ETL, ETLs.

All materials used comply with FDA regulations (Food & Drug Administration). The treatment of evaporators make our ice makers suitable for contact with food.



Company's certification



Products' certification





The respect and environment protection are the primary mission of NTF which encourage our constant research for a more sustainable production.

We recognize and defend the importance to protect and preserve the planet and those who live.

For these reasons our ice makers are realised by 90% fully recyclable and recoverable materials, without expanding agents harmful to the environment.

In addiction, all the elements used are in compliance with the FDA regulations.





ICE

ICE MAKERS

CONTACTS

HOME



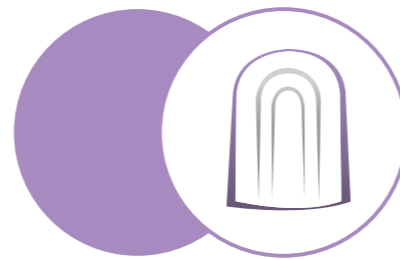
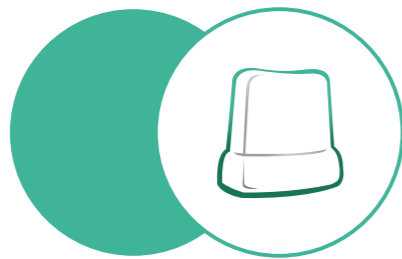
FROZEN DICE



FROZEN TOUCH



FROZEN RUN



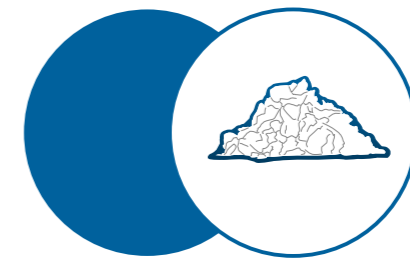
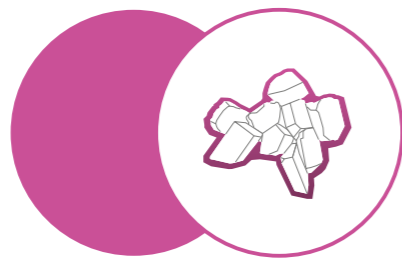
FROZEN STONE



FROZEN SNOW



FROZEN ICE







## FROZEN DICE



Truncated cone format, slightly indented facets 14, 17, 32, 41 or 60 grams. Crystalline and compact. Cools, but the flavour stays the same. Suitable for any shape of glass, a cool boost for drinks.

SL



CM



SPECIALI



## APPLICATION FIELDS

Hotel



Restaurant



Fast food



Bar



Disco



Fish market



Supermarket



Medical



Spa

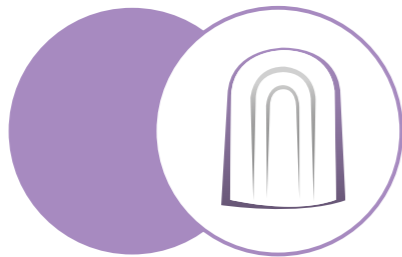


Industry





# FROZEN TOUCH



Hollow thimble format. Suitable to any type of water, even the hardest. Designed for maximum cooling surface. Perfect for drinks of all kinds.

## APPLICATION FIELDS

Hotel	<input checked="" type="checkbox"/> <input checked="" type="checkbox"/> <input checked="" type="checkbox"/>
Restaurant	<input checked="" type="checkbox"/> <input checked="" type="checkbox"/> <input checked="" type="checkbox"/> <input checked="" type="checkbox"/> <input checked="" type="checkbox"/>
Fast food	<input checked="" type="checkbox"/>
Bar	<input checked="" type="checkbox"/> <input checked="" type="checkbox"/> <input checked="" type="checkbox"/> <input checked="" type="checkbox"/> <input checked="" type="checkbox"/> <input checked="" type="checkbox"/>
Disco	<input checked="" type="checkbox"/> <input checked="" type="checkbox"/> <input checked="" type="checkbox"/> <input checked="" type="checkbox"/>
Fish market	<input type="checkbox"/>
Supermarket	<input type="checkbox"/>
Medical	<input type="checkbox"/>
Spa	<input type="checkbox"/>
Industry	<input type="checkbox"/>

IFT >



## FROZEN RUN



Seven-faceted truncated pyramid format. Quick to produce, with rapid cooling action. 7 grams weight - ideal for serving fizzy drinks.

### APPLICATION FIELDS

Hotel	<input checked="" type="checkbox"/> <input checked="" type="checkbox"/>
Restaurant	<input checked="" type="checkbox"/>
Fast food	<input checked="" type="checkbox"/> <input checked="" type="checkbox"/> <input checked="" type="checkbox"/> <input checked="" type="checkbox"/> <input checked="" type="checkbox"/> <input checked="" type="checkbox"/> <input checked="" type="checkbox"/> <input checked="" type="checkbox"/>
Bar	<input checked="" type="checkbox"/> <input checked="" type="checkbox"/>
Disco	<input checked="" type="checkbox"/> <input checked="" type="checkbox"/> <input checked="" type="checkbox"/> <input checked="" type="checkbox"/> <input checked="" type="checkbox"/> <input checked="" type="checkbox"/>
Fish market	<input type="checkbox"/>
Supermarket	<input type="checkbox"/>
Medical	<input type="checkbox"/>
Spa	<input type="checkbox"/>
Industry	<input type="checkbox"/>

**CVC**

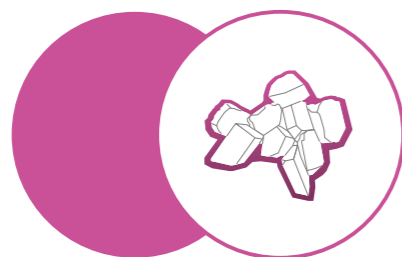


**CV**





## FROZEN STONE



Characteristic of this kind of ice is compactness that grants a long lasting preservation and satisfies any exigency in cocktails preparation.

SLT



MGT



### APPLICATION FIELDS

Hotel	● ● ● ● ●
Restaurant	● ●
Fast food	● ● ● ● ● ●
Bar	● ● ● ●
Disco	● ● ● ● ● ●
Fish market	● ● ● ●
Supermarket	● ● ●
Medical	● ●
Spa	● ●
Industry	● ●



## FROZEN SNOW













Ice in granular flakes. Rapid cooling action. Extra verve. Weight and volume tailored to storage, transport and dosing needs. Bedding for foods, including fish, and chemical or pharmaceutical products.

**SLF** 

**GM** 

### APPLICATION FIELDS

Hotel	
Restaurant	
Fast food	
Bar	
Disco	
Fish market	
Supermarket	
Medical	
Spa	
Industry	



ICE

ICE MAKERS

CONTACTS

HOME



FROZEN DICE >



FROZEN TOUCH >



FROZEN RUN >



FROZEN STONE >



FROZEN SNOW >



FROZEN ICE >



STORAGE BIN >





FROZEN DICE ∨



SL >

CM >

SPECIAL >

FROZEN TOUCH >



FROZEN RUN >



FROZEN STONE >



FROZEN SNOW >



FROZEN ICE >



STORAGE BIN >





ICE

ICE MAKERS

CONTACTS

HOME



FROZEN DICE >



FROZEN TOUCH <



IFT



FROZEN RUN >



FROZEN STONE >



FROZEN SNOW >



FROZEN ICE >



STORAGE BIN >





FROZEN DICE >



FROZEN TOUCH >



FROZEN RUN >



**CVC** >

**CV** >

FROZEN STONE >



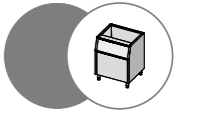
FROZEN SNOW >



FROZEN ICE >



STORAGE BIN >





FROZEN DICE >



FROZEN TOUCH >



FROZEN RUN >



FROZEN STONE v



**SLT** >

**MGT** >

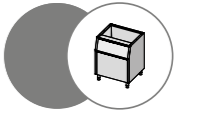
FROZEN SNOW >



FROZEN ICE >



STORAGE BIN >





FROZEN DICE >



FROZEN TOUCH >



FROZEN RUN >



FROZEN STONE >



FROZEN SNOW <



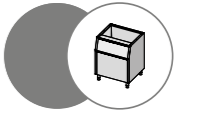
**SLF** >

**GM** >

FROZEN ICE >



STORAGE BIN >





FROZEN DICE >



FROZEN TOUCH >



FROZEN RUN >



FROZEN STONE >



FROZEN SNOW >



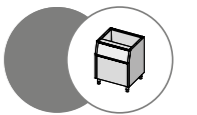
FROZEN ICE ∨



**SM** >

**SPLIT** >

STORAGE BIN >





FROZEN DICE >



FROZEN TOUCH >



FROZEN RUN >



FROZEN STONE >



FROZEN SNOW >



FROZEN ICE >



STORAGE BIN >



ICE

ICE MAKERS

CONTACTS

HOME



FROZEN DICE



**SL 35** >



**SL 50** >



**SL 60** >



**SL 70** >



**SL 90** >



**SL 110** >



**SL 140** >



**SL 180** >



**SL 260** >



**SL 280** >



**SL 350** >



ICE

ICE MAKERS

CONTACTS

HOME



FROZEN DICE



**CM 350** >



**CM 650** >



**CM 650<sub>split</sub>** >





ICE

ICE MAKERS

CONTACTS

HOME



FROZEN DICE



**IC 35** >

**IC 50** >

**FRM 35** >

**D 55** >

**D 90** >



ICE

ICE MAKERS

CONTACTS

HOME



FROZEN TOUCH 



IFT 54 



IFT 55 



IFT 65 



IFT 120 



IFT 165 



ICE

ICE MAKERS

CONTACTS

HOME



FROZEN RUN



**CVC 230** >



ICE

ICE MAKERS

CONTACTS

HOME



FROZEN RUN



CV 305 >

CV 475 >

CV 950 >

CV 1650 >



ICE

ICE MAKERS

CONTACTS

HOME



FROZEN STONE



**SLT 100** >



**SLT 170** >



**SLT 270** >



**SLT 290** >



ICE

ICE MAKERS

CONTACTS

HOME



FROZEN STONE



**MGT 310** >



**MGT 560** >



**MGT 900** >



ICE

ICE MAKERS

CONTACTS

HOME



FROZEN SNOW 



**SLF 130** 



**SLF 190** 



**SLF 225** 



**SLF 320** 



**SLF 355** 



**SLF 500** 



ICE

ICE MAKERS

CONTACTS

HOME



FROZEN SNOW



**GM 360** >



**GM 600** >



**GM 1200** >



**GM 2000** >



**GM 1200 Split** >



**GM 1500** >  
Split CO<sub>2</sub>



**GM 2000 Split** >



**GM 3100** >  
Split CO<sub>2</sub>





ICE

ICE MAKERS

CONTACTS

HOME



FROZEN ICE



**SM 500 >**



**SM 750 >**



**SM 1300 >**



**SM 1750 >**



**SM 3300 >**



**SM 4500 >**



ICE

ICE MAKERS

CONTACTS

HOME



FROZEN ICE



**SPLIT 750** >



**SPLIT 1300** >



**SPLIT 1300CO<sub>2</sub>** >



**SPLIT 1750** >



**SPLIT 2200CO<sub>2</sub>** >



**SPLIT 3300** >



**SPLIT 3300CO<sub>2</sub>** >



**SPLIT 4500** >



ICE

ICE MAKERS

CONTACTS

HOME



**STORAGE BIN**



**D 30** >



**BIN PE530** >



**BIN T250** >



**BIN T420** >



**BIN T830** >



**BIN 1200 DD** >



**RB 140** >



**RB 280** >



**DRB 1100** >



**DRB 2500** >





BACK TO ICE MAKERS LIST

NEXT

SL 35

Self-contained ice maker up to 25 kg - Sprayer system

• Position n°



• Application fields

Hotel	●●●●●●●●	Fish market	●●●●●●●●
Restaurant	●●●●●●●●	Supermarket	●●●●●●●●
Fast food	●●●●●●●●	SPA	●●●●●●●●
Bar	●●●●●●●●	Medical	●●●●●●●●
Disco	●●●●●●●●	Industry	●●●●●●●●

• Features & Plus

- Full cube, compact and crystalline
- External structure AISI 304 Scotch Brite
- External structure ABS (on demand)
- Electromechanical functioning
- Air Cooling and Water Cooling systems
- Standard and special voltages
- Insulated retractable door
- ON-OFF switch
- Cleanable antiscaling filter
- Internal bin insulation HCFC free
- Conformity to RoHS directive
- Easy cleaning thanks to rounded surfaces
- Model in Tropical Class + 43 ° C
- Undercounter model

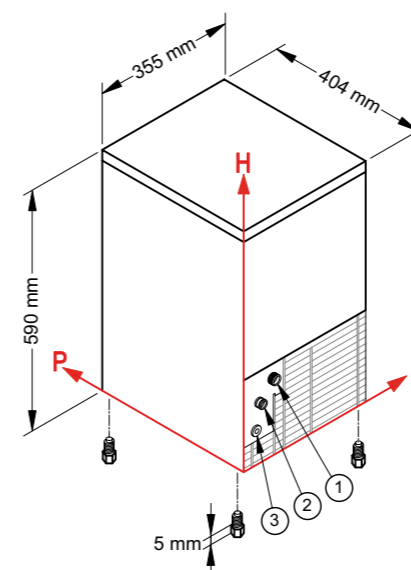
• Available dice size



• Prod. 24h

Air temp.	Water temp.	Prod. 24h kg
10° C	10° C	25
21° C	15° C	22
32° C	21° C	18

• Certifications available for this model



• Connections

All measures are referred to the rear bottom-left corner (L-H-Ø)

- ① Water inlet: 88 mm - 184 mm - 3/4"
- ② Water outlet: 45 mm - 138 mm - 24mm
- ③ Electrical connection: 41 mm - 73 mm

• Working conditions

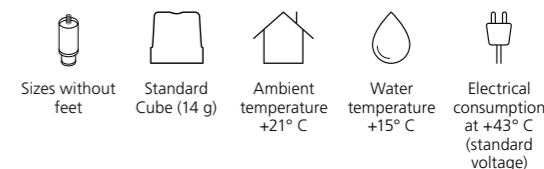
- Location: Indoor

	Min	Max
Ambient temperature	+10° C	+43° C
Water temperature	+3° C	+32° C
Voltage	-10%	+10%
Water inlet pressure	1bar (14 psi)	6bar (84 psi)

• Technical information

Production in 24h	22 kg
Store capacity, up to	4 kg
Cooling system	A - W
Kind of cube	14 g
Refrigerant	R404A
Standard voltage	220-240 V - 50 Hz
Electrical consumption	320 W
Fuse	10 A
Water consumption	A: 4,5 l/kg W: 20 l/kg
Sizes (L-P-H mm)	355 - 404 - 590
Sizes with pack (L-P-H mm)	415 - 445 - 780
Net weight	27,5 kg
Gross weight	34 kg
Finish	AISI 304 stainless steel, scotch brite - ABS

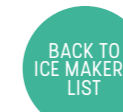
All the technical information must be considered at the following conditions:



Models and specifications are subject to change without notice  
Rev. 00 - Issued September 2016

2 Years Warranty

subject to limitations



**SL 50**

Self-contained ice maker up to 32 kg - Sprayer system

• Position n°



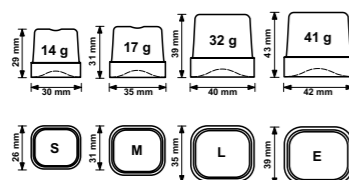
• Application fields

Hotel	●●●●●●●●	Fish market	●●●●●●●●
Restaurant	●●●●●●●●	Supermarket	●●●●●●●●
Fast food	●●●●●●●●	SPA	●●●●●●●●
Bar	●●●●●●●●	Medical	●●●●●●●●
Disco	●●●●●●●●	Industry	●●●●●●●●

• Features & Plus

- Full cube, compact and crystalline
- External structure AISI 304 Scotch Brite
- Side grilles for better ventilation
- Removable side panels
- Electromechanical functioning
- Air Cooling and Water Cooling systems
- Standard and special voltages
- Insulated retractable door
- ON-OFF switch
- Internal bin insulation HCFC free
- Conformity to RoHS directive
- Easy cleaning thanks to rounded surfaces
- Model in Tropical Class + 43 °C
- External protective filter, removable, easy to clean
- Undercounter model

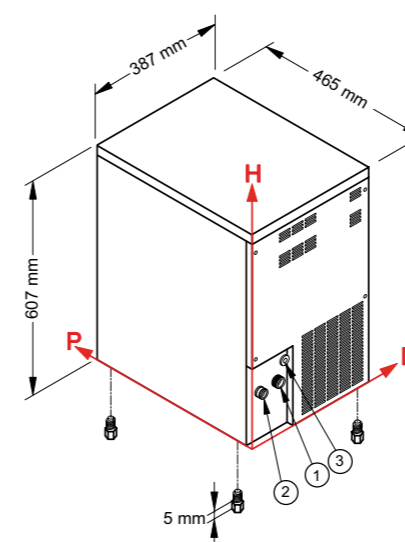
• Available dice size



• Prod. 24h

Air temp.	Water temp.	Prod. 24h kg
10° C	10° C	32
21° C	15° C	28
32° C	21° C	22

• Certifications available for this model



• Connections

All measures are referred to the rear bottom-left corner (L-H-Ø)

- ① Water inlet: 129 mm - 137 mm - 3/4"
- ② Water outlet: 56 mm - 137 mm - 24mm
- ③ Electrical connection: 89 mm - 180 mm

• Working conditions

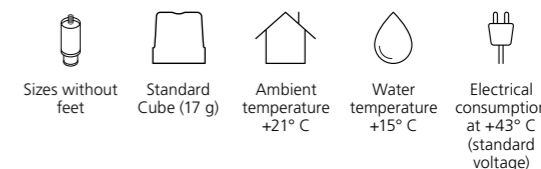
- Location: Indoor

	Min	Max
Ambient temperature	+10° C	+43° C
Water temperature	+3° C	+32° C
Voltage	-10%	+10%
Water inlet pressure	1bar (14 psi)	6bar (84 psi)

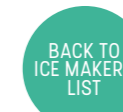
• Technical information

Production in 24h	28 kg
Store capacity, up to	6 kg
Cooling system	A - W
Kind of cube	14-17-32-41 g
Refrigerant	R404A
Standard voltage	220-240 V ~ 50 Hz
Electrical consumption	290 W
Fuse	10 A
Water consumption	A: 5,1 l/kg W: 14 l/kg
Sizes (L-P-H mm)	387 - 465 - 607
Sizes with pack (L-P-H mm)	440 - 520 - 780
Net weight	39 kg
Gross weight	41 kg
Finish	AISI 304 stainless steel, scotch brite

All the technical information must be considered at the following conditions:



Models and specifications are subject to change without notice  
Rev. 00 - Issued September 2016



**SL 60**

Self-contained ice maker up to 36 kg - Sprayer system

• Position n°



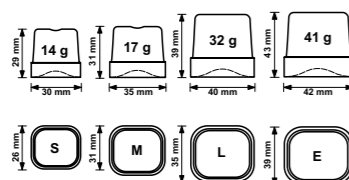
• Application fields

Hotel	●●●●●●●●	Fish market	●●●●●●●●
Restaurant	●●●●●●●●	Supermarket	●●●●●●●●
Fast food	●●●●●●●●	SPA	●●●●●●●●
Bar	●●●●●●●●	Medical	●●●●●●●●
Disco	●●●●●●●●	Industry	●●●●●●●●

• Features & Plus

- Full cube, compact and crystalline
- External structure AISI 304 Scotch Brite
- Side grilles for better ventilation
- Removable side panels
- Electromechanical functioning
- Air Cooling and Water Cooling systems
- Standard and special voltages
- Insulated retractable door
- ON-OFF switch
- Internal bin insulation HCFC free
- Conformity to RoHS directive
- Easy cleaning thanks to rounded surfaces
- Model in Tropical Class + 43 °C
- External protective filter, removable, easy to clean
- Undercounter model

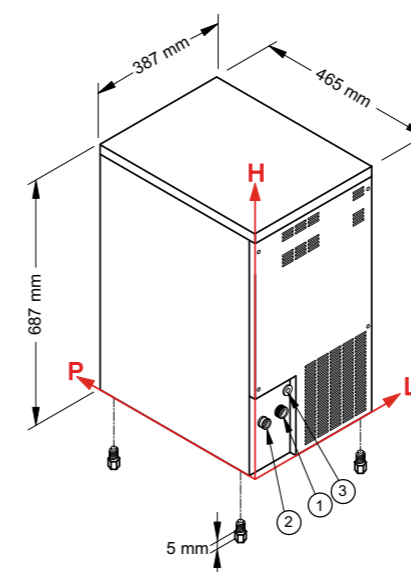
• Available dice size



• Prod. 24h

Air temp.	Water temp.	Prod. 24h kg
10° C	10° C	36
21° C	15° C	32
32° C	21° C	26

• Certifications available for this model



• Connections

All measures are referred to the rear bottom-left corner (L-H-Ø)

- ① Water inlet: 129 mm - 137 mm - 3/4"
- ② Water outlet: 56 mm - 137 mm - 24 mm
- ③ Electrical connection: 89 mm - 180 mm

• Working conditions

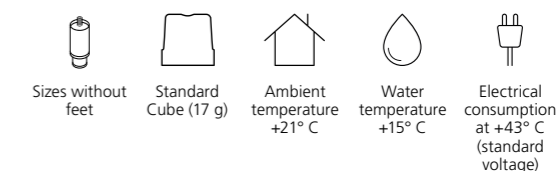
- Location: Indoor

	Min	Max
Ambient temperature	+10° C	+43° C
Water temperature	+3° C	+32° C
Voltage	-10%	+10%
Water inlet pressure	1bar (14 psi)	6bar (84 psi)

• Technical information

Production in 24h	32 kg
Store capacity, up to	9 kg
Cooling system	A - W
Kind of cube	14-17-32-41 g
Refrigerant	R404A
Standard voltage	220-240 V ~ 50 Hz
Electrical consumption	350 W
Fuse	10 A
Water consumption	A: 5,1 l/kg W: 16 l/kg
Sizes (L-P-H mm)	387 - 465 - 687
Sizes with pack (L-P-H mm)	440 - 520 - 860
Net weight	38 kg
Gross weight	44 kg
Finish	AISI 304 stainless steel, scotch brite

All the technical information must be considered at the following conditions:



Models and specifications are subject to change without notice  
Rev. 00 - Issued September 2016



**SL 70**

Self-contained ice maker up to 42 kg - Sprayer system

• Position n°



• Application fields

Hotel	●●●●●●●●	Fish market	●●●●●●●●
Restaurant	●●●●●●●●	Supermarket	●●●●●●●●
Fast food	●●●●●●●●	SPA	●●●●●●●●
Bar	●●●●●●●●	Medical	●●●●●●●●
Disco	●●●●●●●●	Industry	●●●●●●●●

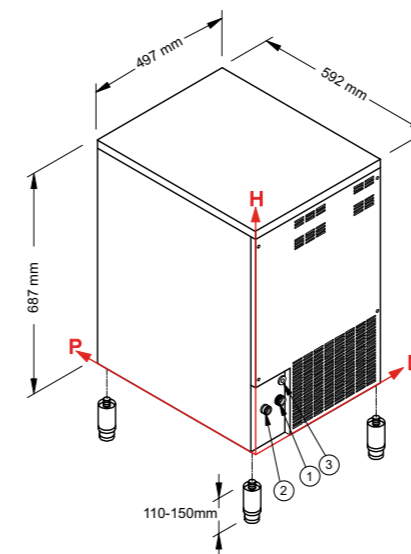
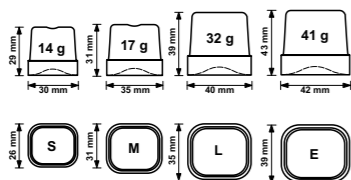
• Features & Plus

- Full cube, compact and crystalline
- External structure AISI 304 Scotch Brite
- Side grilles for better ventilation
- Removable side panels
- Electromechanical functioning
- Air Cooling and Water Cooling systems
- Standard and special voltages
- Insulated retractable door
- ON-OFF switch
- Internal bin insulation HCFC free
- Conformity to RoHS directive
- Easy cleaning thanks to rounded surfaces
- Model in Tropical Class + 43 °C
- External protective filter, removable, easy to clean
- Adjustable Stainless Steel feet
- Undercounter model

• Prod. 24h

Air temp.	Water temp.	Prod. 24h kg
10° C	10° C	42
21° C	15° C	37
32° C	21° C	29

• Available dice size



• Connections

All measures are referred to the rear bottom-left corner (L-H-Ø)

- ① Water inlet: 129 mm - 132 mm - 3/4"
- ② Water outlet: 56 mm - 154 mm - 24 mm
- ③ Electrical connection: 94 mm - 202 mm

• Working conditions

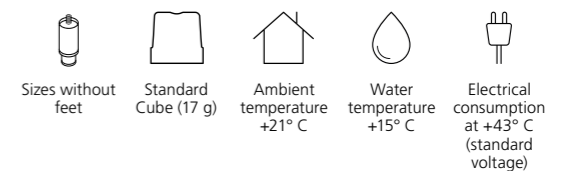
- Location: Indoor

	Min	Max
Ambient temperature	+10° C	+43° C
Water temperature	+3° C	+32° C
Voltage	-10%	+10%
Water inlet pressure	1bar (14 psi)	6bar (84 psi)

• Technical information

Production in 24h	37 kg
Store capacity, up to	16 kg
Cooling system	A - W
Kind of cube	14-17-32-41 g
Refrigerant	R404A
Standard voltage	220-240 V ~ 50 Hz
Electrical consumption	370 W
Fuse	10 A
Water consumption	A: 3,3 l/kg W: 15 l/kg
Sizes (L-P-H mm)	497 - 592 - 687
Sizes with pack (L-P-H mm)	550 - 660 - 860
Net weight	48 kg
Gross weight	55 kg
Finish	AISI 304 stainless steel, scotch brite

All the technical information must be considered at the following conditions:

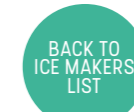


Models and specifications are subject to change without notice  
Rev. 00 - Issued September 2016

**2 Years Warranty**  
subject to limitations

• Certifications available for this model





SL 90

Self-contained ice maker up to 49 kg - Sprayer system

• Position n°



• Application fields

Hotel	●●●●●●●●	Fish market	●●●●●●●●
Restaurant	●●●●●●●●	Supermarket	●●●●●●●●
Fast food	●●●●●●●●	SPA	●●●●●●●●
Bar	●●●●●●●●	Medical	●●●●●●●●
Disco	●●●●●●●●	Industry	●●●●●●●●

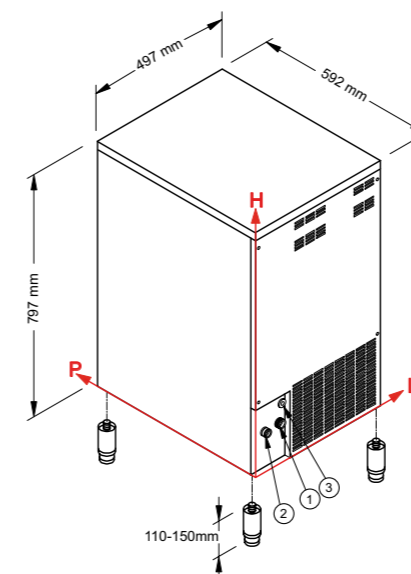
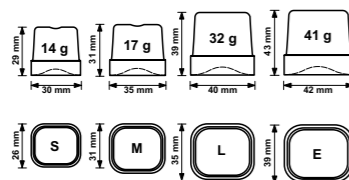
• Features & Plus

- Full cube, compact and crystalline
- External structure AISI 304 Scotch Brite
- Side grilles for better ventilation
- Removable side panels
- Electromechanical functioning
- Air Cooling and Water Cooling systems
- Standard and special voltages
- Insulated retractable door
- ON-OFF switch
- Internal bin insulation HCFC free
- Conformity to RoHS directive
- Easy cleaning thanks to rounded surfaces
- Model in Tropical Class + 43 ° C
- External protective filter, removable, easy to clean
- Undercounter model

• Prod. 24h

Air temp.	Water temp.	Prod. 24h kg
10° C	10° C	49
21° C	15° C	46
32° C	21° C	40

• Available dice size



• Connections

All measures are referred to the rear bottom-left corner (L-H-Ø)

- ① Water inlet: 129 mm - 132 mm - 3/4"
- ② Water outlet: 56 mm - 154 mm - 24 mm
- ③ Electrical connection: 94 mm - 202 mm

• Working conditions

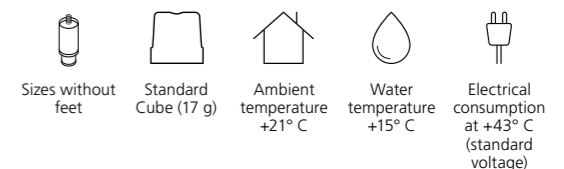
- Location: Indoor

	Min	Max
Ambient temperature	+10° C	+43° C
Water temperature	+3° C	+32° C
Voltage	-10%	+10%
Water inlet pressure	1bar (14 psi)	6bar (84 psi)

• Technical information

Production in 24h	46 kg
Store capacity, up to	25 kg
Cooling system	A - W
Kind of cube	14-17-32-41 g
Refrigerant	R404A
Standard voltage	220-240 V ~ 50 Hz
Electrical consumption	450 W
Fuse	10 A
Water consumption	A: 4 l/kg W: 18 l/kg
Sizes (L-P-H mm)	497 - 592 - 797
Sizes with pack (L-P-H mm)	550 - 660 - 970
Net weight	52 kg
Gross weight	61 kg
Finish	AISI 304 stainless steel, scotch brite

All the technical information must be considered at the following conditions:



Models and specifications are subject to change without notice  
Rev. 00 - Issued September 2016

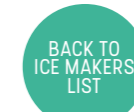
2 Years Warranty

subject to limitations

• Certifications available for this model







SL 110

Self-contained ice maker up to 55 kg - Sprayer system

• Position n°



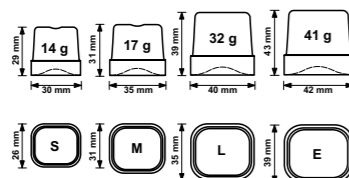
• Application fields

Hotel	●●●●●●●●	Fish market	●●●●●●●●
Restaurant	●●●●●●●●	Supermarket	●●●●●●●●
Fast food	●●●●●●●●	SPA	●●●●●●●●
Bar	●●●●●●●●	Medical	●●●●●●●●
Disco	●●●●●●●●	Industry	●●●●●●●●

• Features & Plus

- Full cube, compact and crystalline
- External structure AISI 304 Scotch Brite
- Side grilles for better ventilation
- Removable side panels
- Electromechanical functioning
- Air Cooling and Water Cooling systems
- Standard and special voltages
- Insulated retractable door
- ON-OFF switch
- Internal bin insulation HCFC free
- Conformity to RoHS directive
- Easy cleaning thanks to rounded surfaces
- Model in Tropical Class + 43 ° C
- Adjustable Stainless Steel feet
- Undercounter model

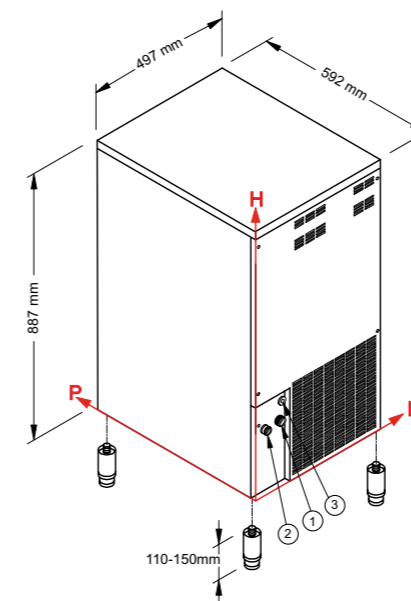
• Available dice size



• Prod. 24h

Air temp.	Water temp.	Prod. 24h kg
10° C	10° C	55
21° C	15° C	53
32° C	21° C	45

• Certifications available for this model



• Connections

All measures are referred to the rear bottom-left corner (L-H-Ø)

- ① Water inlet: 129 mm - 132 mm - 3/4"
- ② Water outlet: 56 mm - 154 mm - 24 mm
- ③ Electrical connection: 94 mm - 202 mm

• Working conditions

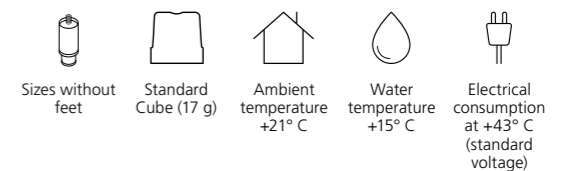
- Location: Indoor

	Min	Max
Ambient temperature	+10° C	+43° C
Water temperature	+3° C	+32° C
Voltage	-10%	+10%
Water inlet pressure	1bar (14 psi)	6bar (84 psi)

• Technical information

Production in 24h	53 kg
Store capacity, up to	25 kg
Cooling system	A - W
Kind of cube	14-17-32-41 g
Refrigerant	R404A
Standard voltage	220-240 V ~ 50 Hz
Electrical consumption	500 W
Fuse	10 A
Water consumption	A: 4 l/kg W: 18 l/kg
Sizes (L-P-H mm)	497 - 592 - 887
Sizes with pack (L-P-H mm)	550 - 660 - 1060
Net weight	55 kg
Gross weight	64 kg
Finish	AISI 304 stainless steel, scotch brite

All the technical information must be considered at the following conditions:



Models and specifications are subject to change without notice  
Rev. 00 - Issued September 2016

2 Years Warranty

subject to limitations



**SL 140**

Self-contained ice maker up to 75 kg - Sprayer system

• Position n°



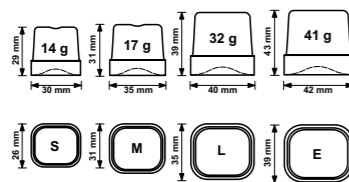
• Application fields

Hotel	●●●●●●●●	Fish market	●●●●●●●●
Restaurant	●●●●●●●●	Supermarket	●●●●●●●●
Fast food	●●●●●●●●	SPA	●●●●●●●●
Bar	●●●●●●●●	Medical	●●●●●●●●
Disco	●●●●●●●●	Industry	●●●●●●●●

• Features & Plus

- Full cube, compact and crystalline
- External structure AISI 304 Scotch Brite
- Side grilles for better ventilation
- Removable side panels
- Electromechanical functioning
- Air Cooling and Water Cooling systems
- Standard and special voltages
- Insulated retractable door
- ON-OFF switch
- Internal bin insulation HCFC free
- Conformity to RoHS directive
- Easy cleaning thanks to rounded surfaces
- Model in Tropical Class + 43 °C
- External protective filter, removable, easy to clean
- Adjustable Stainless Steel feet

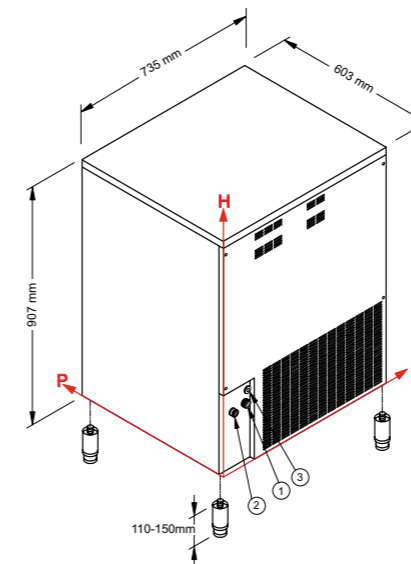
• Available dice size



• Prod. 24h

Air temp.	Water temp.	Prod. 24h kg
10° C	10° C	75
21° C	15° C	68
32° C	21° C	56

• Certifications available for this model



• Connections

All measures are referred to the rear bottom-left corner (L-H-Ø)

- ① Water inlet: 126 mm - 180 mm - 3/4"
- ② Water outlet: 61 mm - 246 mm - 24 mm
- ③ Electrical connection: 126 mm - 280 mm

• Working conditions

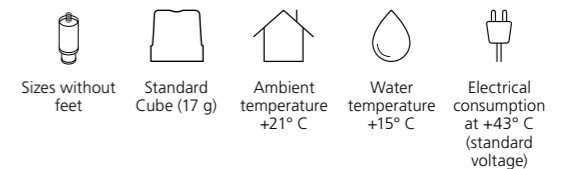
- Location: Indoor

	Min	Max
Ambient temperature	+10° C	+43° C
Water temperature	+3° C	+32° C
Voltage	-10%	+10%
Water inlet pressure	1bar (14 psi)	6bar (84 psi)

• Technical information

Production in 24h	68 kg
Store capacity, up to	40 kg
Cooling system	A - W
Kind of cube	14-17-32-41 g
Refrigerant	R404A
Standard voltage	220-240 V ~ 50 Hz
Electrical consumption	700 W
Fuse	10 A
Water consumption	A: 2,8 l/kg W: 14 l/kg
Sizes (L-P-H mm)	735 - 603 - 907
Sizes with pack (L-P-H mm)	780 - 640 - 1085
Net weight	67 kg
Gross weight	79 kg
Finish	AISI 304 stainless steel, scotch brite

All the technical information must be considered at the following conditions:



Models and specifications are subject to change without notice  
Rev. 00 - Issued September 2016

**2 Years Warranty**

subject to limitations



**SL 180**

Self-contained ice maker up to 98 kg - Sprayer system

• Position n°



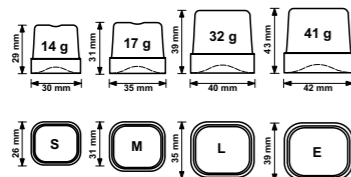
• Application fields

Hotel	●●●●●●●●	Fish market	●●●●●●●●
Restaurant	●●●●●●●●	Supermarket	●●●●●●●●
Fast food	●●●●●●●●	SPA	●●●●●●●●
Bar	●●●●●●●●	Medical	●●●●●●●●
Disco	●●●●●●●●	Industry	●●●●●●●●

• Features & Plus

- Full cube, compact and crystalline
- External structure AISI 304 Scotch Brite
- Side grilles for better ventilation
- Removable side panels
- Electromechanical functioning
- Air Cooling and Water Cooling systems
- Standard and special voltages
- Insulated retractable door
- ON-OFF switch
- Internal bin insulation HCFC free
- Conformity to RoHS directive
- Easy cleaning thanks to rounded surfaces
- Model in Tropical Class + 43 °C
- External protective filter, removable, easy to clean
- Adjustable Stainless Steel feet

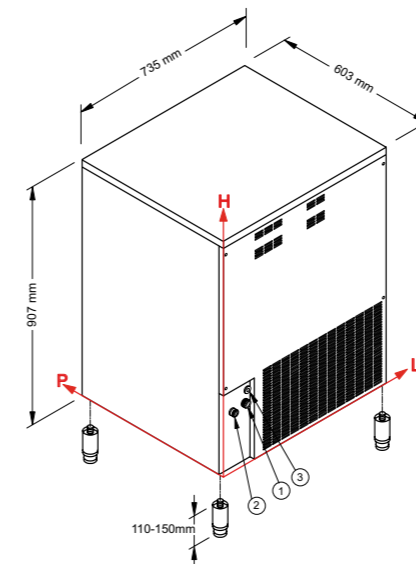
• Available dice size



• Prod. 24h

Air temp.	Water temp.	Prod. 24h kg
10° C	10° C	98
21° C	15° C	88
32° C	21° C	75

• Certifications available for this model



• Connections

All measures are referred to the rear bottom-left corner (L-H-Ø)

- Water inlet: 126 mm - 180 mm - 3/4"
- Water outlet: 61 mm - 246 mm - 24 mm
- Electrical connection: 126 mm - 280 mm

• Working conditions

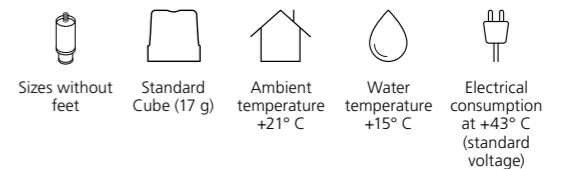
- Location: Indoor

	Min	Max
Ambient temperature	+10° C	+43° C
Water temperature	+3° C	+32° C
Voltage	-10%	+10%
Water inlet pressure	1bar (14 psi)	6bar (84 psi)

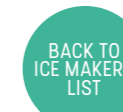
• Technical information

Production in 24h	88 kg
Store capacity, up to	40 kg
Cooling system	A - W
Kind of cube	14-17-32-41 g
Refrigerant	R404A
Standard voltage	220-240 V ~ 50 Hz
Electrical consumption	800 W
Fuse	10 A
Water consumption	A: 2,5 l/kg W: 14,2 l/kg
Sizes (L-P-H mm)	735 - 603 - 907
Sizes with pack (L-P-H mm)	780 - 640 - 1085
Net weight	71 kg
Gross weight	83 kg
Finish	AISI 304 stainless steel, scotch brite

All the technical information must be considered at the following conditions:



Models and specifications are subject to change without notice  
Rev. 00 - Issued September 2016



**SL 260**

Self-contained ice maker up to 104 kg – Sprayer system

• Position n°



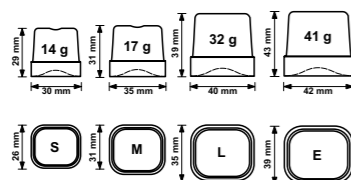
• Application fields

Hotel	●●●●●●●●	Fish market	●●●●●●●●
Restaurant	●●●●●●●●	Supermarket	●●●●●●●●
Fast food	●●●●●●●●	SPA	●●●●●●●●
Bar	●●●●●●●●	Medical	●●●●●●●●
Disco	●●●●●●●●	Industry	●●●●●●●●

• Features & Plus

- Full cube, compact and crystalline
- External structure AISI 304 Scotch Brite
- Side grilles for better ventilation
- Removable side panels
- Electromechanical functioning
- Air Cooling and Water Cooling systems
- Standard and special voltages
- Insulated retractable door
- ON-OFF switch
- Internal bin insulation HCFC free
- Conformity to RoHS directive
- Easy cleaning thanks to rounded surfaces
- Model in Tropical Class + 43 °C
- External protective filter, removable, easy to clean
- Adjustable Stainless Steel feet

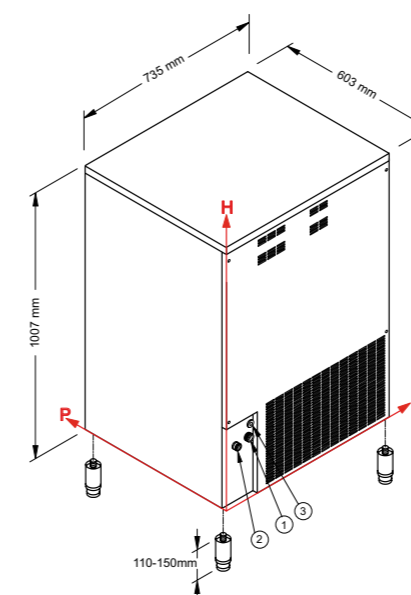
• Available dice size



• Prod. 24h

Air temp.	Water temp.	Prod. 24h kg
10° C	10° C	104
21° C	15° C	100
32° C	21° C	85

• Certifications available for this model



• Connections

All measures are referred to the rear bottom-left corner (L-H-Ø)

- ① Water inlet: 126 mm - 180 mm - 3/4"
- ② Water outlet: 61 mm - 246 mm - 24 mm
- ③ Electrical connection: 126 mm - 280 mm

• Working conditions

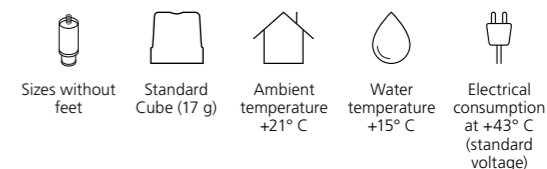
- Location: Indoor

	Min	Max
Ambient temperature	+10° C	+43° C
Water temperature	+3° C	+32° C
Voltage	-10%	+10%
Water inlet pressure	1bar (14 psi)	6bar (84 psi)

• Technical information

Production in 24h	100 kg
Store capacity, up to	60 kg
Cooling system	A - W
Kind of cube	14-17-32-41 g
Refrigerant	R404A
Standard voltage	220-240 V ~ 50 Hz
Electrical consumption	850 W
Fuse	10 A
Water consumption	A: 2,5 l/kg W: 14,2 l/kg
Sizes (L-P-H mm)	735 - 603 - 1007
Sizes with pack (L-P-H mm)	780 - 640 - 1185
Net weight	74 kg
Gross weight	86 kg
Finish	AISI 304 stainless steel, scotch brite

All the technical information must be considered at the following conditions:



Models and specifications are subject to change without notice  
Rev. 00 - Issued September 2016

**2 Years Warranty**

subject to limitations



SL 280

Self-contained ice maker up to 134 kg – Sprayer system

• Position n°



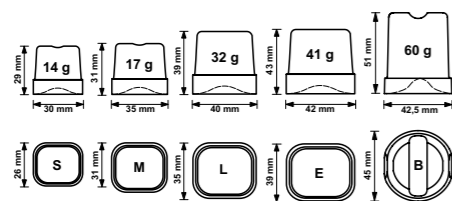
• Application fields

Hotel	●●●●●●●●	Fish market	●●●●●●●●
Restaurant	●●●●●●●●	Supermarket	●●●●●●●●
Fast food	●●●●●●●●	SPA	●●●●●●●●
Bar	●●●●●●●●	Medical	●●●●●●●●
Disco	●●●●●●●●	Industry	●●●●●●●●

• Features & Plus

- Full cube, compact and crystalline
- External structure AISI 304 Scotch Brite
- Adjustable Stainless Steel feet
- Removable and cleanable air filter
- Electromechanical functioning
- Air Cooling and Water Cooling systems
- Standard and special voltages
- Insulated retractable door
- ON-OFF switch
- Internal bin insulation HCFC free
- Conformity to RoHS directive
- Easy cleaning thanks to rounded surfaces
- Model in Tropical Class + 43 °C

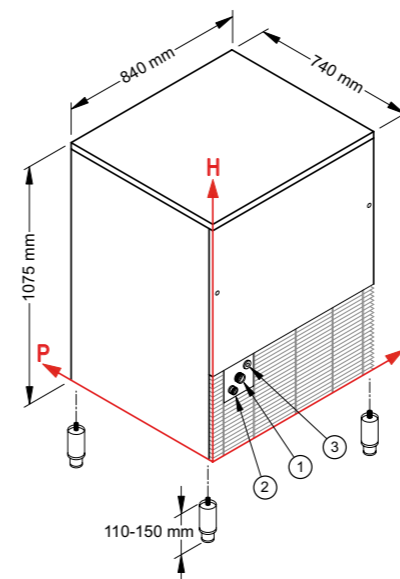
• Available dice size



• Prod. 24h

Air temp.	Water temp.	Prod. 24h kg
10° C	10° C	134
21° C	15° C	130
32° C	21° C	106

• Certifications available for this model



• Connections

All measures are referred to the rear bottom-left corner (L-H-Ø)

- ① Water inlet: 141 mm - 290 mm - 3/4"
- ② Water outlet: 79 mm - 245 mm - 24 mm
- ③ Electrical connection: 186 mm - 326 mm

• Working conditions

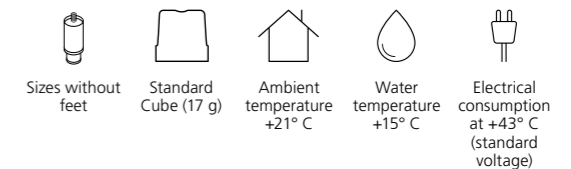
- Location: Indoor

	Min	Max
Ambient temperature	+10° C	+43° C
Water temperature	+3° C	+32° C
Voltage	-10%	+10%
Water inlet pressure	1bar (14 psi)	6bar (84 psi)

• Technical information

Production in 24h	130 kg
Store capacity, up to	65 kg
Cooling system	A - W
Kind of cube	14-17-32-41-60 g
Refrigerant	R404A
Standard voltage	220-240 V ~ 50 Hz
Electrical consumption	1050 W
Fuse	16 A
Water consumption	A: 2,8 l/kg W: 15,3 l/kg
Sizes (L-P-H mm)	840 - 740 - 1075
Sizes with pack (L-P-H mm)	880 - 785 - 1245
Net weight	113 kg
Gross weight	133 kg
Finish	AISI 304 stainless steel, scotch brite

All the technical information must be considered at the following conditions:



Models and specifications are subject to change without notice  
Rev. 00 - Issued September 2016



**SL 350**

Self-contained ice maker up to 158 kg – Sprayer system

• Position n°



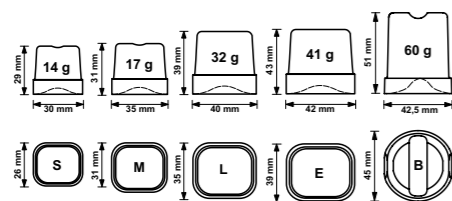
• Application fields

Hotel	●●●●●●●●	Fish market	●●●●●●●●
Restaurant	●●●●●●●●	Supermarket	●●●●●●●●
Fast food	●●●●●●●●	SPA	●●●●●●●●
Bar	●●●●●●●●	Medical	●●●●●●●●
Disco	●●●●●●●●	Industry	●●●●●●●●

• Features & Plus

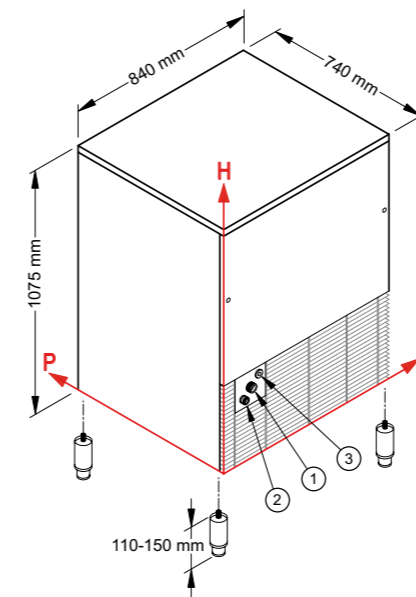
- Full cube, compact and crystalline
- External structure AISI 304 Scotch Brite
- Adjustable Stainless Steel feet
- Removable and cleanable air filter
- Electromechanical functioning
- Air Cooling and Water Cooling systems
- Standard and special voltages
- Insulated retractable door
- ON-OFF switch
- Internal bin insulation HCFC free
- Conformity to RoHS directive
- Easy cleaning thanks to rounded surfaces
- Model in Tropical Class + 43 °C

• Available dice size



• Prod. 24h

Air temp.	Water temp.	Prod. 24h kg
10° C	10° C	158
21° C	15° C	155
32° C	21° C	132



• Connections

All measures are referred to the rear bottom-left corner (L-H-Ø)

- ① Water inlet: 141 mm - 290 mm - 3/4"
- ② Water outlet: 79 mm - 245 mm - 24 mm
- ③ Electrical connection: 186 mm - 326 mm

• Working conditions

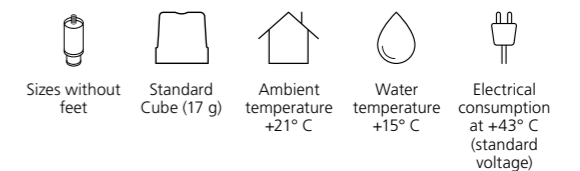
- Location: Indoor

	Min	Max
Ambient temperature	+10° C	+43° C
Water temperature	+3° C	+32° C
Voltage	-10%	+10%
Water inlet pressure	1bar (14 psi)	6bar (84 psi)

• Technical information

Production in 24h	155 kg
Store capacity, up to	65 kg
Cooling system	A - W
Kind of cube	14-17-32-41-60 g
Refrigerant	R404A
Standard voltage	220-240 V ~ 50 Hz
Electrical consumption	1400 W
Fuse	16 A
Water consumption	A: 2,6 l/kg W: 13 l/kg
Sizes (L-P-H mm)	840 - 740 - 1075
Sizes with pack (L-P-H mm)	880 - 785 - 1245
Net weight	118 kg
Gross weight	138 kg
Finish	AISI 304 stainless steel, scotch brite

All the technical information must be considered at the following conditions:



Models and specifications are subject to change without notice  
Rev. 00 - Issued September 2016

**2 Years Warranty**

subject to limitations

• Certifications available for this model





CM 350

Modular ice maker up to 160 kg – Sprayer system

• Position n°



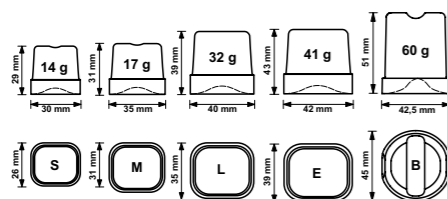
• Application fields

Hotel	●●●●●●●●	Fish market	●●●●●●●●
Restaurant	●●●●●●●●	Supermarket	●●●●●●●●
Fast food	●●●●●●●●	SPA	●●●●●●●●
Bar	●●●●●●●●	Medical	●●●●●●●●
Disco	●●●●●●●●	Industry	●●●●●●●●

• Features & Plus

- Full cube, compact and crystalline
- External structure AISI 304 Scotch Brite
- Electromechanical functioning
- Air Cooling and Water Cooling systems
- Standard and special voltages
- Removable side panels
- ON-OFF switch
- Cabinet insulation HCFC free
- Removable and cleanable air filter
- Conformity to RoHS directive
- Easy cleaning thanks to rounded surfaces
- Model in Tropical Class + 43 ° C

• Available dice size



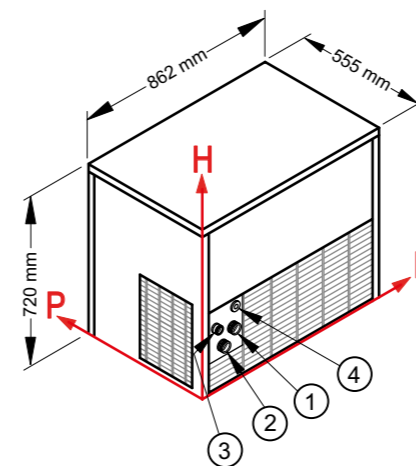
• Prod. 24h

Air temp.	Water temp.	Prod. 24h kg
10° C	10° C	160
21° C	15° C	155
32° C	21° C	132

• Usable Bins

- Bin PE530
- Bin T420
- Bin T830

• Certifications available for this model



• Working conditions

- Location: Indoor

	Min	Max
Ambient temperature	+10° C	+43° C
Water temperature	+3° C	+32° C
Voltage	-10%	+10%
Water inlet pressure	1bar (14 psi)	6bar (84 psi)

• Technical information

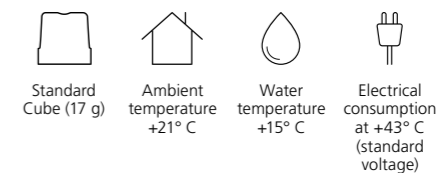
Production in 24h	155 kg
Cooling system	A - W
Kind of cube	14-17-32-41-60 g
Refrigerant	R404A
Standard voltage	220-240 V ~ 50 Hz
Electrical consumption	1400 W
Fuse	16 A
Water consumption	A: 2,6 l/kg W: 13 l/kg
Sizes (L-P-H mm)	862 - 555 - 720
Sizes with pack (L-P-H mm)	945 - 645 - 980
Net weight	118 kg
Gross weight	128 kg
Finish	AISI 304 stainless steel, scotch brite

• Connections

All measures are referred to the rear bottom-left corner (L-H-Ø)

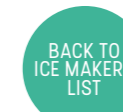
- ① Water inlet:  
126 mm - 284 mm - 3/4"
- ② Condenser water inlet:  
94 mm - 234 mm - 3/4"
- ③ Water outlet:  
69 mm - 297 mm - 24 mm
- ④ Electrical connection:  
140 mm - 355 mm

All the technical information must be considered at the following conditions:



② Only for water cooling systems

Models and specifications are subject to change without notice  
Rev. 00 - Issued September 2016



CM 650

Modular ice maker up to 320 kg – Sprayer system

• Position n°



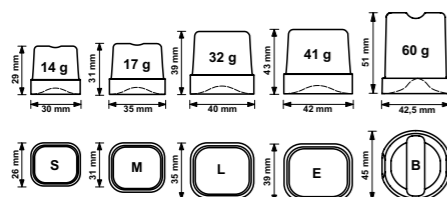
• Application fields

Hotel	●●●●●●●●	Fish market	●●●●●●●●
Restaurant	●●●●●●●●	Supermarket	●●●●●●●●
Fast food	●●●●●●●●	SPA	●●●●●●●●
Bar	●●●●●●●●	Medical	●●●●●●●●
Disco	●●●●●●●●	Industry	●●●●●●●●

• Features & Plus

- Full cube, compact and crystalline
- External structure AISI 304 Scotch Brite
- Electromechanical functioning
- Air Cooling and Water Cooling systems
- Standard and special voltages
- ON-OFF switch
- Removable and cleanable air filter
- Conformity to RoHS directive
- Easy cleaning thanks to rounded surfaces
- Model in Tropical Class + 43 ° C
- Stackable unit

• Available dice size



• Prod. 24h

Air temp.	Water temp.	Prod. 24h kg
10° C	10° C	320
21° C	15° C	300
32° C	21° C	260

• Usable Bins

- Bin T830

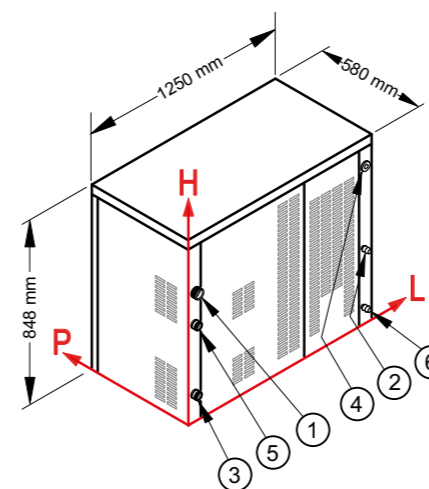
• Working conditions

- Location: Indoor

	Min	Max
Ambient temperature	+10° C	+43° C
Water temperature	+3° C	+32° C
Voltage	-10%	+10%
Water inlet pressure	1bar (14 psi)	6bar (84 psi)

• Technical information

Production in 24h	300 kg
Cooling system	A - W
Kind of cube	14-17-32-41-60 g
Refrigerant	R404A
Standard voltage	220-240 V ~ 50 Hz
Electrical consumption	2600 W
Fuse	32 A
Water consumption	A: 2,6 l/kg W: 14,3 l/kg
Sizes (L-P-H mm)	1250 - 580 - 848
Sizes with pack (L-P-H mm)	1335 - 705 - 1005
Net weight	152 kg
Gross weight	178 kg
Finish	AISI 304 stainless steel, scotch brite

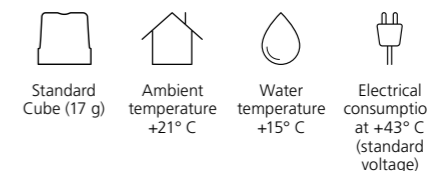


• Connections

All measures are referred to the rear bottom-left corner (L-H-Ø)

- Water inlet:  
39 mm - 582 mm - 3/4"
- Condenser water inlet:  
1217 mm - 298 mm - 3/4"
- Water outlet:  
29 mm - 73 mm - 24 mm
- Electrical connection:  
1222 mm - 748 mm
- Water outlet:  
31 mm - 440 mm - 24 mm
- Condenser water outlet:  
1222 mm - 55 mm - 3/4"

All the technical information must be considered at the following conditions:



②⑥ Only for water cooling systems

Models and specifications are subject to change without notice  
Rev. 00 - Issued September 2016

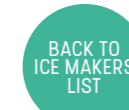
2 Years Warranty

subject to limitations

• Certifications available for this model







# CM 650 Split

## Modular ice maker up to 300 kg – Sprayer system

### • Position n°



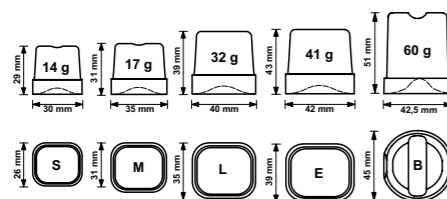
### • Application fields

Hotel	●●●●●●●●	Fish market	●●●●●●●●
Restaurant	●●●●●●●●	Supermarket	●●●●●●●●
Fast food	●●●●●●●●	SPA	●●●●●●●●
Bar	●●●●●●●●	Medical	●●●●●●●●
Disco	●●●●●●●●	Industry	●●●●●●●●

### • Features & Plus

- Full cube, compact and crystalline
- External structure AISI 304 Scotch Brite
- Electromechanical functioning
- ON-OFF switch
- Standard and special voltages
- Conformity to RoHS directive
- Easy cleaning thanks to rounded surfaces
- Model in Tropical Class + 43 °C
- Stackable unit

### • Available dice size



### • Usable Bins

- Bin T830

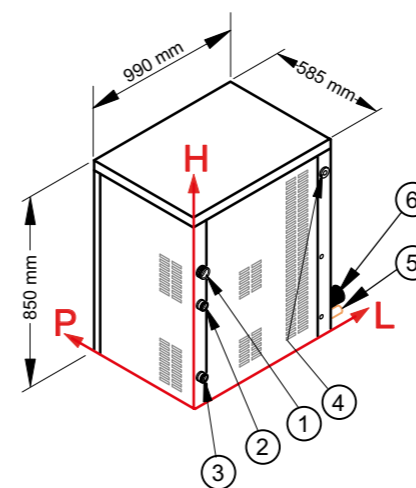
### • Working conditions

- Location: Indoor

	Min	Max
Ambient temperature	+10° C	+43° C
Water temperature	+3° C	+32° C
Voltage	-10%	+10%
Water inlet pressure	1bar (14 psi)	6bar (84 psi)

### • Technical information

Production in 24h	300 kg
Kind of cube	14-17-32-41-60 g
Refrigerant	R404A - R507
Refrigerant capacity	6000 W (evap. temp: cycle start -12° C, cycle end -28° C)
Standard voltage	220-240 V ~ 50 Hz
Electrical consumption	200 W
Sizes (L-P-H mm)	990 - 585 - 850
Sizes with pack (L-P-H mm)	1075 - 705 - 1020
Net weight	97 kg
Gross weight	107 kg
Finish	AISI 304 stainless steel, scotch brite



### • Connections

All measures are referred to the rear bottom-left corner (L-H-Ø)

- ① Water inlet: 39 mm - 582 mm - 3/4"
- ② Water outlet: 31 mm - 440 mm - 24 mm
- ③ Water outlet: 29 mm - 73 mm - 24 mm
- ④ Electrical connection: 962 mm - 748 mm

All the technical information must be considered at the following conditions:

Standard Cube (17 g)	6000 W (evap. temp: cycle start -12° C, cycle end -28° C)	Water temperature +15° C	Electrical consumption at +43° C (standard voltage)

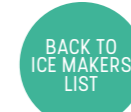
Models and specifications are subject to change without notice  
Rev. 00 - Issued September 2016

**2 Years Warranty**

subject to limitations

### • Certifications available for this model





IC 35

Self-contained ice maker up to 25 kg - Sprayer system

• Position n°



• Application fields

Hotel	●●●●●●●●	Fish market	●●●●●●●●
Restaurant	●●●●●●●●	Supermarket	●●●●●●●●
Fast food	●●●●●●●●	SPA	●●●●●●●●
Bar	●●●●●●●●	Medical	●●●●●●●●
Disco	●●●●●●●●	Industry	●●●●●●●●

• Features & Plus

- Full cube, compact and crystalline
- Ideal for built-in
- External structure AISI 304 Scotch Brite
- Insulated retractable door
- Electromechanical functioning
- Internal bin insulation HCFC free
- Easy cleaning thanks to rounded surfaces
- ON-OFF switch
- Cleanable antiscaling filter
- Conformity to RoHS directive
- Standard and special voltages
- Model in Tropical Class + 43 ° C
- Undercounter model

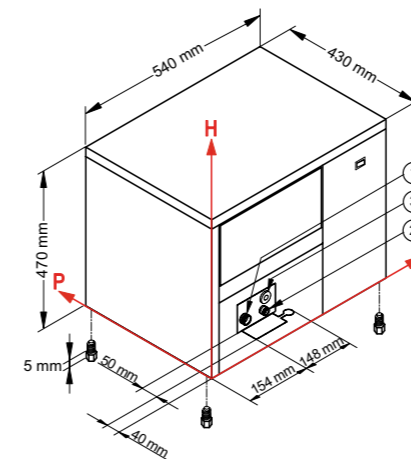
• Available dice size



• Prod. 24h

Air temp.	Water temp.	Prod. 24h kg
10° C	10° C	25
21° C	15° C	22
32° C	21° C	18

• Certifications available for this model



• Connections

- ① Water inlet ø: 3/4"
- ② Water outlet ø: 24 mm
- ③ Electrical connection

• Working conditions

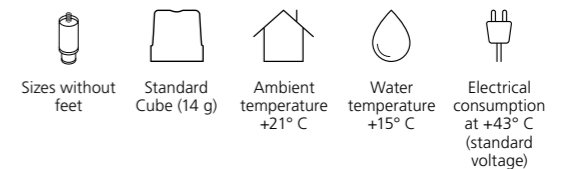
- Location: Indoor

	Min	Max
Ambient temperature	+10° C	+43° C
Water temperature	+3° C	+32° C
Voltage	-10%	+10%
Water inlet pressure	1bar (14 psi)	6bar (84 psi)

• Technical information

Production in 24h	22 kg
Store capacity, up to	4 kg
Cooling system	A
Kind of cube	14 g
Refrigerant	R404A
Standard voltage	220-240 V ~ 50 Hz
Electrical consumption	320 W
Fuse	10 A
Water consumption	4,5 l/kg
Sizes (L-P-H mm)	540 - 430 - 470
Sizes with pack (L-P-H mm)	590 - 490 - 640
Net weight	34 kg
Gross weight	39 kg
Finish	AISI 304 stainless steel, scotch brite

All the technical information must be considered at the following conditions:



Models and specifications are subject to change without notice  
Rev. 00 - Issued September 2016

2 Years Warranty

subject to limitations



IC 50

Self-contained ice maker up to 30 kg - Sprayer system

• Position n°



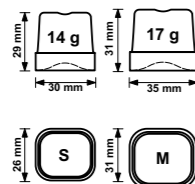
• Application fields

Hotel	●●●●●●●●	Fish market	●●●●●●●●
Restaurant	●●●●●●●●	Supermarket	●●●●●●●●
Fast food	●●●●●●●●	SPA	●●●●●●●●
Bar	●●●●●●●●	Medical	●●●●●●●●
Disco	●●●●●●●●	Industry	●●●●●●●●

• Features & Plus

- Full cube, compact and crystalline
- Ideal for built-in
- External structure AISI 304 Scotch Brite
- Insulated retractable door
- Electromechanical functioning
- Internal bin insulation HCFC free
- Easy cleaning thanks to rounded surfaces
- ON-OFF switch
- Cleanable antiscaling filter
- Conformity to RoHS directive
- Standard and special voltages
- Model in Tropical Class + 43 ° C
- Undercounter model

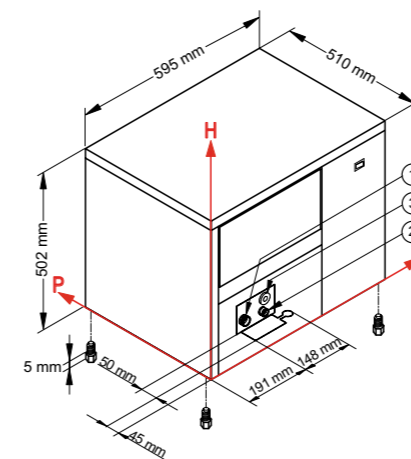
• Available dice size



• Prod. 24h

Air temp.	Water temp.	Prod. 24h kg
10° C	10° C	30
21° C	15° C	26
32° C	21° C	22

• Certifications available for this model



• Connections

- ① Water inlet ø: 3/4"
- ② Water outlet ø: 24 mm
- ③ Electrical connection

• Working conditions

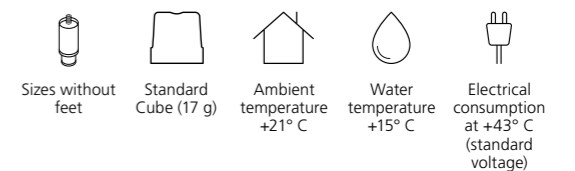
- Location: Indoor

	Min	Max
Ambient temperature	+10° C	+43° C
Water temperature	+3° C	+32° C
Voltage	-10%	+10%
Water inlet pressure	1bar (14 psi)	6bar (84 psi)

• Technical information

Production in 24h	26 kg
Store capacity, up to	6 kg
Cooling system	A
Kind of cube	14-17 g
Refrigerant	R404A
Standard voltage	220-240 V ~ 50 Hz
Electrical consumption	350 W
Fuse	10 A
Water consumption	A: 5,1 l/kg
Sizes (L-P-H mm)	595 - 510 - 502
Sizes with pack (L-P-H mm)	635 - 555 - 675
Net weight	41 kg
Gross weight	48 kg
Finish	AISI 304 stainless steel, scotch brite

All the technical information must be considered at the following conditions:



Models and specifications are subject to change without notice  
Rev. 00 - Issued September 2016



**FRM 35**

Self-contained ice maker up to 25 kg - Sprayer system

• Position n°



• Application fields

Hotel	●●●●●●●●	Fish market	●●●●●●●●
Restaurant	●●●●●●●●	Supermarket	●●●●●●●●
Fast food	●●●●●●●●	SPA	●●●●●●●●
Bar	●●●●●●●●	Medical	●●●●●●●●
Disco	●●●●●●●●	Industry	●●●●●●●●

• Features & Plus

- Full cube, compact and crystalline
- Water Dispenser
- External structure AISI 304 Scotch Brite
- Electromechanical functioning
- Insulated retractable door
- Internal bin insulation HCFC free
- ON-OFF switch
- Standard and special voltages
- Easy cleaning thanks to rounded surfaces
- Cleanable antiscaling filter
- Conformity to RoHS directive
- Model in Tropical Class + 43 ° C
- Undercounter model

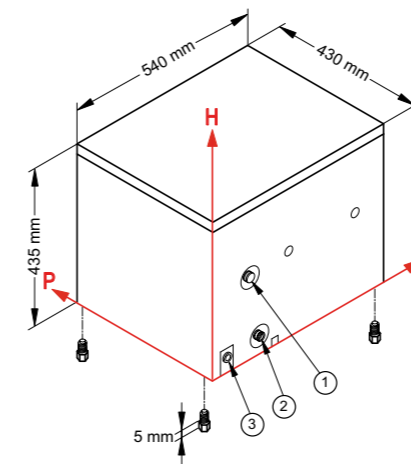
• Available dice size



• Prod. 24h

Air temp.	Water temp.	Prod. 24h kg
10° C	10° C	25
21° C	15° C	22
32° C	21° C	18

• Certifications available for this model



• Connections

All measures are referred to the rear bottom-left corner (L-H-Ø)

- ① Water inlet:  
120 mm - 215 mm - 3/4"
- ② Water outlet:  
150 mm - 40 mm - 24 mm
- ③ Electrical connection:  
44 mm - 40 mm

• Working conditions

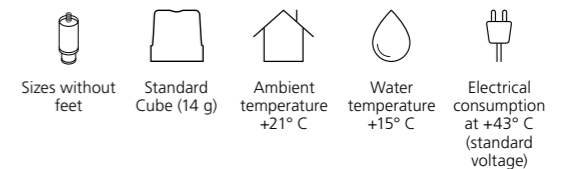
- Location: Indoor

	Min	Max
Ambient temperature	+10° C	+43° C
Water temperature	+3° C	+32° C
Voltage	-10%	+10%
Water inlet pressure	1bar (14 psi)	6bar (84 psi)

• Technical information

Production in 24h	22 kg
Store capacity, up to	4 kg
Cooling system	W
Kind of cube	14 g
Refrigerant	R404A
Standard voltage	220-240 V ~ 50 Hz
Electrical consumption	320 W
Fuse	10 A
Water consumption	37,4 l/kg
Delivered water	1,2 l/min
Sizes (L-P-H mm)	540 - 430 - 435
Sizes with pack (L-P-H mm)	590 - 490 - 640
Net weight	37,5 kg
Gross weight	43 kg
Finish	AISI 304 stainless steel, scotch brite

All the technical information must be considered at the following conditions:



Models and specifications are subject to change without notice  
Rev. 00 - Issued September 2016



D 55

Ice dispenser up to 25 kg - Sprayer system

• Position n°



• Application fields

Hotel	●●●●●●●●	Fish market	●●●●●●●●
Restaurant	●●●●●●●●	Supermarket	●●●●●●●●
Fast food	●●●●●●●●	SPA	●●●●●●●●
Bar	●●●●●●●●	Medical	●●●●●●●●
Disco	●●●●●●●●	Industry	●●●●●●●●

• Features & Plus

- Full cube, compact and crystalline
- Ice cubes and water dispenser
- Air Cooling and Water Cooling systems
- Electromechanical functioning
- ON-OFF switch
- Internal bin insulation HCFC free
- Easy cleaning thanks to rounded surfaces
- Cleanable antiscaling filter
- Conformity to RoHS directive
- Standard and special voltages
- Model in Tropical Class + 43 °C
- Undercounter model
- Stainless steel tower available as optional

• Available dice size



• Prod. 24h

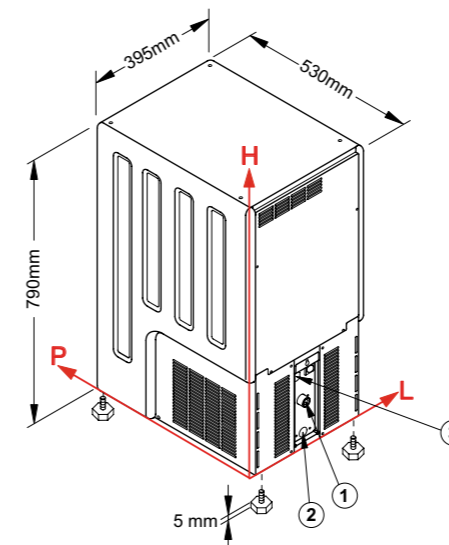
Air temp.	Water temp.	Prod. 24h kg
10° C	10° C	25
21° C	15° C	22
32° C	21° C	18

• Certifications available for this model



2 Years Warranty

subject to limitations



• Connections

All measures are referred to the rear bottom-left corner (L-H-Ø)

- ① Water inlet: 191 mm - 136 mm - 3/4"
- ② Water outlet: 197 mm - 36 mm - 24 mm
- ③ Electrical connection: 175 mm - 211 mm

• Working conditions

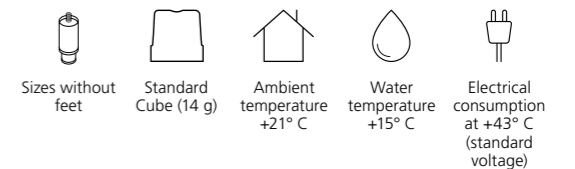
- Location: Indoor

	Min	Max
Ambient temperature	+10° C	+43° C
Water temperature	+3° C	+32° C
Voltage	-10%	+10%
Water inlet pressure	1bar (14 psi)	6bar (84 psi)

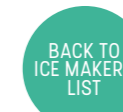
• Technical information

Production in 24h	22 kg
Store capacity, up to	7 kg
Cooling system	A - W
Kind of cube	14 g
Refrigerant	R404A
Standard voltage	220-240 V ~ 50 Hz
Electrical consumption	250 W
Fuse	10 A
Water consumption	A: 4,5 l/kg W: 18 l/kg
Delivered ice	1,3 kg/min
Sizes (L-P-H mm)	395 - 530 - 790
Sizes with pack (L-P-H mm)	430 - 580 - 970
Net weight	41 kg
Gross weight	48 kg
Finish	Polyethylene

All the technical information must be considered at the following conditions:



Models and specifications are subject to change without notice  
Rev. 00 - Issued September 2016



**D 90**

Ice dispenser up to 48 kg – Sprayer system

• Position n°



• Application fields

Hotel	●●●●●●●●	Fish market	●●●●●●●●
Restaurant	●●●●●●●●	Supermarket	●●●●●●●●
Fast food	●●●●●●●●	SPA	●●●●●●●●
Bar	●●●●●●●●	Medical	●●●●●●●●
Disco	●●●●●●●●	Industry	●●●●●●●●

• Features & Plus

- Full cube, compact and crystalline
- Ice cubes dispenser
- External structure AISI 304 Scotch Brite
- Electromechanical functioning
- Air Cooling and Water Cooling systems
- Internal bin insulation HCFC free
- Easy cleaning thanks to rounded surfaces
- Conformity to RoHS directive
- Standard and special voltages
- Model in Tropical Class + 43 °C

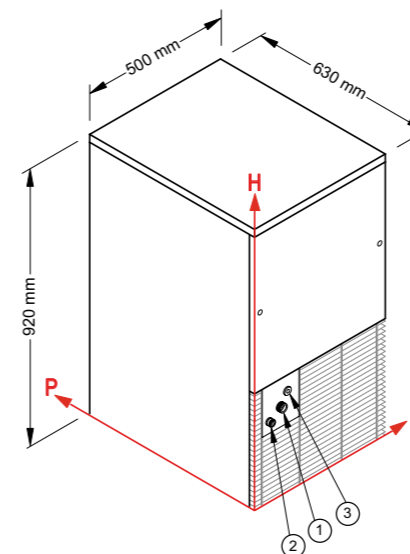
• Available dice size



• Prod. 24h

Air temp.	Water temp.	Prod. 24h kg
10° C	10° C	48
21° C	15° C	44
32° C	21° C	40

• Certifications available for this model



• Connections

All measures are referred to the rear bottom-left corner (L-H-Ø)

- ① Water inlet:  
111 mm - 311 mm - 3/4"
- ② Water outlet:  
49 mm - 270 mm - 24mm
- ③ Electrical connection:  
156 mm - 347 mm

• Working conditions

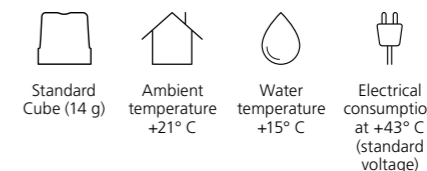
- Location: Indoor

	Min	Max
Ambient temperature	+10° C	+43° C
Water temperature	+3° C	+32° C
Voltage	-10%	+10%
Water inlet pressure	1bar (14 psi)	6bar (84 psi)

• Technical information

Production in 24h	44 kg
Store capacity, up to	12 kg
Cooling system	A - W
Kind of cube	14 g
Refrigerant	R404A
Standard voltage	220-240 V ~ 50 Hz
Electrical consumption	450 W
Fuse	10 A
Water consumption	A: 4 l/kg W: 15 l/kg
Delivered ice	3 kg/min
Sizes (L-P-H mm)	500 - 630 - 920
Sizes with pack (L-P-H mm)	540 - 770 - 1090
Net weight	66 kg
Gross weight	74 kg
Finish	AISI 304 stainless steel, scotch brite

All the technical information must be considered at the following conditions:



Models and specifications are subject to change without notice  
Rev. 00 - Issued September 2016



**CVC 230**

Self-contained ice maker up to 120 kg – Vertical evaporator system

• Position n°



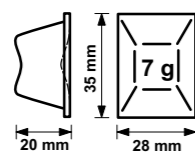
• Application fields

Hotel	●●●●●●●●	Fish market	●●●●●●●●
Restaurant	●●●●●●●●	Supermarket	●●●●●●●●
Fast food	●●●●●●●●	SPA	●●●●●●●●
Bar	●●●●●●●●	Medical	●●●●●●●●
Disco	●●●●●●●●	Industry	●●●●●●●●

• Features & Plus

- Flat cube 7 gr
- Our vertical evaporator provides separated cubes
- External structure AISI 304 Scotch Brite
- Electromechanical functioning
- Air Cooling and Water Cooling systems
- Standard and special voltages
- Insulated retractable door
- ON-OFF switch
- Cleanable antiscaling filter
- External protective filter, removable, easy to clean
- Internal bin insulation HCFC free
- Conformity to RoHS directive
- Easy cleaning thanks to rounded surfaces
- Model in Tropical Class + 43 °C
- Adjustable stainless steel feet

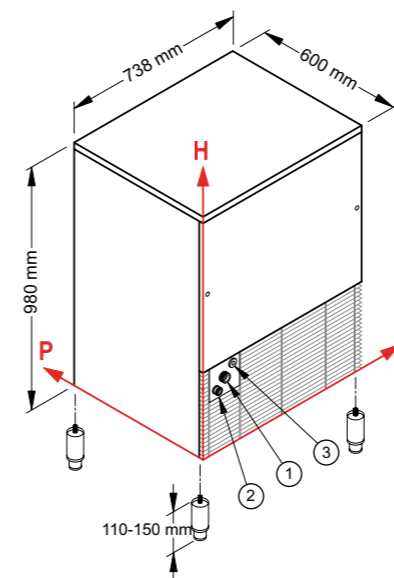
• Available dice size



• Prod. 24h

Air temp.	Water temp.	Prod. 24h kg
10° C	10° C	120
21° C	15° C	105
32° C	21° C	90

• Certifications available for this model



• Connections

All measures are referred to the rear bottom-left corner (L-H-Ø)

- ① Water inlet: 116 mm - 245 mm - 3/4"
- ② Water outlet: 54 mm - 200 mm - 24 mm
- ③ Electrical connection: 161 mm - 281 mm

• Working conditions

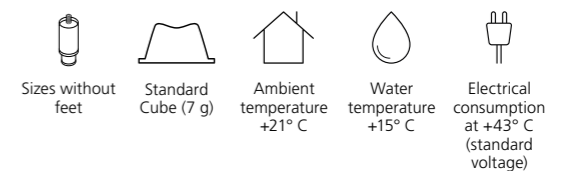
- Location: Indoor

	Min	Max
Ambient temperature	+10° C	+43° C
Water temperature	+3° C	+32° C
Voltage	-10%	+10%
Water inlet pressure	1bar (14 psi)	6bar (84 psi)

• Technical information

Production in 24h	105 kg
Store capacity, up to	35 kg
Cooling system	A - W
Kind of cube	7 g
Refrigerant	R404A
Standard voltage	220-240 V ~ 50 Hz
Electrical consumption	850 W
Fuse	10 A
Water consumption	A: 2,5 l/kg W: 14,2 l/kg
Sizes (L-P-H mm)	738 - 600 - 980
Sizes with pack (L-P-H mm)	780 - 640 - 1140
Net weight	75 kg
Gross weight	85 kg
Finish	AISI 304 stainless steel, scotch brite

All the technical information must be considered at the following conditions:



Models and specifications are subject to change without notice  
Rev. 00 - Issued September 2016



CV 305



Modular ice maker up to 145 kg – Vertical evaporator system

• Position n°



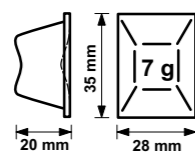
• Application fields

Hotel	●●●●●●●●	Fish market	●●●●●●●●
Restaurant	●●●●●●●●	Supermarket	●●●●●●●●
Fast food	●●●●●●●●	SPA	●●●●●●●●
Bar	●●●●●●●●	Medical	●●●●●●●●
Disco	●●●●●●●●	Industry	●●●●●●●●

• Features & Plus

- Flat cube 7 gr
- Our vertical evaporator provides separated cubes
- External structure AISI 304 Scotch Brite
- Electromechanical functioning
- Air Cooling and Water Cooling systems
- Standard and special voltages
- ON-OFF switch
- Removable air filter for easy cleaning
- Washing system
- Conformity to RoHS directive
- Easy cleaning thanks to rounded surfaces
- Model in Tropical Class + 43 ° C

• Available dice size



• Prod. 24h

Air temp.	Water temp.	Prod. 24h kg
10° C	10° C	145
21° C	15° C	140
32° C	21° C	113

• Usable Bins

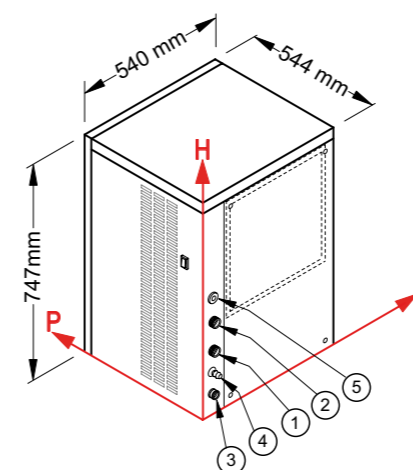
- Bin T250
- Bin T420
- Bin PE530

• Certifications available for this model



2 Years Warranty

subject to limitations



• Connections

All measures are referred to the rear bottom-left corner (L-H-Ø)

- ① Water inlet: 35 mm - 173 mm - 3/4"
- ② Condenser water inlet: 35 mm - 268 mm - 3/4"
- ③ Water outlet: 32 mm - 42 mm - 24 mm
- ④ Condenser water outlet: 28 mm - 93 mm - 12 mm
- ⑤ Electrical connections: 33 mm - 343 mm

• Working conditions

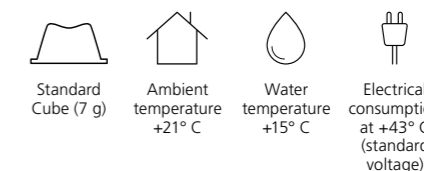
- Location: Indoor

	Min	Max
Ambient temperature	+10° C	+43° C
Water temperature	+3° C	+32° C
Voltage	-10%	+10%
Water inlet pressure	1bar (14 psi)	6bar (84 psi)

• Technical information

Production in 24h	140 kg
Cooling system	A - W
Kind of cube	7 g
Refrigerant	R404A
Standard voltage	220-240 V ~ 50 Hz
Electrical consumption	1400 W
Fuse	16 A
Water consumption	A: 3 l/kg W: 13,5 l/kg
Sizes (L-P-H mm)	540 - 544 - 747
Sizes with pack (L-P-H mm)	580 - 615 - 925
Net weight	73 kg
Gross weight	83 kg
Finish	AISI 304 stainless steel, scotch brite

All the technical information must be considered at the following conditions:



②④ Only for water cooling systems

Models and specifications are subject to change without notice  
Rev. 00 - Issued September 2016





CV 475

Modular ice maker up to 205 kg – Vertical evaporator system

• Position n°



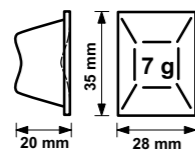
• Application fields

Hotel	●●●●●●●●	Fish market	●●●●●●●●
Restaurant	●●●●●●●●	Supermarket	●●●●●●●●
Fast food	●●●●●●●●	SPA	●●●●●●●●
Bar	●●●●●●●●	Medical	●●●●●●●●
Disco	●●●●●●●●	Industry	●●●●●●●●

• Features & Plus

- Flat cube 7 gr
- Our vertical evaporator provides separated cubes
- External structure AISI 304 Scotch Brite
- Electromechanical functioning
- Air Cooling and Water Cooling systems
- Standard and special voltages
- ON-OFF switch
- Removable air filter for easy cleaning
- Washing system
- Conformity to RoHS directive
- Easy cleaning thanks to rounded surfaces
- Model in Tropical Class + 43 °C

• Available dice size



• Prod. 24h

Air temp.	Water temp.	Prod. 24h kg
10° C	10° C	205
21° C	15° C	200
32° C	21° C	163

• Usable Bins

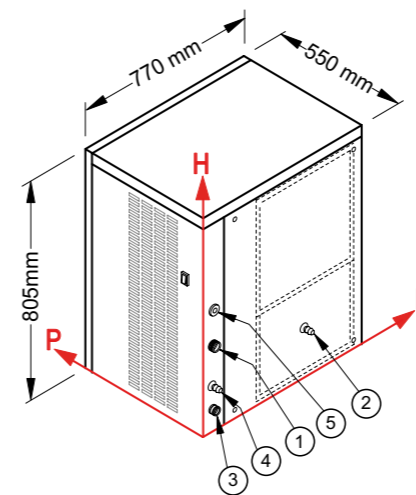
- Bin PE530
- Bin T420
- Bin T830
- RB 280

• Certifications available for this model



2 Years Warranty

subject to limitations



• Connections

All measures are referred to the rear bottom-left corner (L-H-Ø)

- ① Water inlet:  
38 mm - 252 mm - 3/4"
- ② Condenser water inlet:  
375 mm - 115 mm - 12 mm
- ③ Water outlet:  
32 mm - 40 mm - 24 mm
- ④ Condenser water outlet:  
28 mm - 93 mm - 12 mm
- ⑤ Electrical connections:  
33 mm - 323 mm

• Working conditions

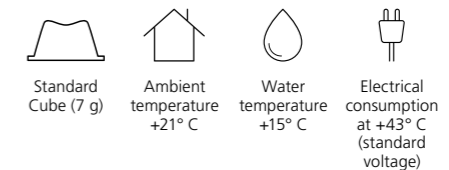
- Location: Indoor

	Min	Max
Ambient temperature	+10° C	+43° C
Water temperature	+3° C	+32° C
Voltage	-10%	+10%
Water inlet pressure	1bar (14 psi)	6bar (84 psi)

• Technical information

Production in 24h	200 kg
Cooling system	A - W
Kind of cube	7 g
Refrigerant	R404A
Standard voltage	220-240 V ~ 50 Hz
Electrical consumption	1600 W
Fuse	20 A
Water consumption	A: 2,4 l/kg W: 13 l/kg
Sizes (L-P-H mm)	770 - 550 - 805
Sizes with pack (L-P-H mm)	815 - 615 - 980
Net weight	90 kg
Gross weight	101 kg
Finish	AISI 304 stainless steel, scotch brite

All the technical information must be considered at the following conditions:



②④ Only for water cooling systems

Models and specifications are subject to change without notice  
Rev. 00 - Issued September 2016



CV 950



Modular ice maker up to 414 kg – Vertical evaporator system

• Position n°



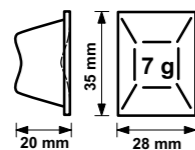
• Application fields

Hotel	●●●●●●●●	Fish market	●●●●●●●●
Restaurant	●●●●●●●●	Supermarket	●●●●●●●●
Fast food	●●●●●●●●	SPA	●●●●●●●●
Bar	●●●●●●●●	Medical	●●●●●●●●
Disco	●●●●●●●●	Industry	●●●●●●●●

• Features & Plus

- Flat cube 7 gr crystalline and compact
- Our vertical evaporator provides separated cubes
- External structure AISI 304 Scotch Brite
- Electromechanical functioning
- Air Cooling and Water Cooling systems
- Standard and special voltages
- ON-OFF switch
- Removable air filter for easy cleaning
- Washing system
- Conformity to RoHS directive
- Easy cleaning thanks to rounded surfaces
- Model in Tropical Class + 43 °C

• Available dice size



• Prod. 24h

Air temp.	Water temp.	Prod. 24h kg
10° C	10° C	414
21° C	15° C	400
32° C	21° C	334

• Usable Bins

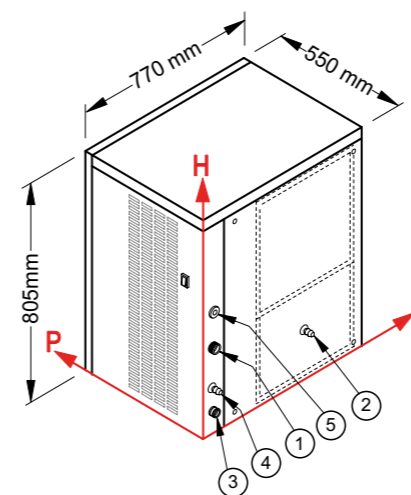
- Bin PE530
- Bin T420
- Bin T830
- RB 280

• Certifications available for this model



2 Years Warranty

subject to limitations



• Connections

All measures are referred to the rear bottom-left corner (L-H-Ø)

- ① Water inlet: 38 mm - 252 mm - 3/4"
- ② Condenser water inlet: 375 mm - 115 mm - 12 mm
- ③ Water outlet: 32 mm - 40 mm - 24 mm
- ④ Condenser water outlet: 28 mm - 93 mm - 12 mm
- ⑤ Electrical connections: 33 mm - 323 mm

• Working conditions

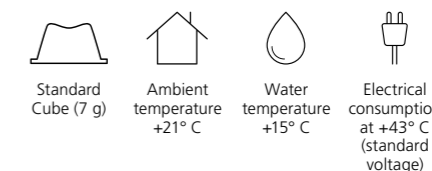
- Location: Indoor

	Min	Max
Ambient temperature	+10° C	+43° C
Water temperature	+3° C	+32° C
Voltage	-10%	+10%
Water inlet pressure	1bar (14 psi)	6bar (84 psi)

• Technical information

Production in 24h	400 kg
Cooling system	A - W
Kind of cube	7 g
Refrigerant	R404A
Standard voltage	220-240 V ~ 50 Hz
Electrical consumption	3000 W
Fuse	32 A
Water consumption	A: 1,8 l/kg W: 13 l/kg
Sizes (L-P-H mm)	770 - 550 - 805
Sizes with pack (L-P-H mm)	815 - 615 - 980
Net weight	113 kg
Gross weight	124 kg
Finish	AISI 304 stainless steel, scotch brite

All the technical information must be considered at the following conditions:



②④ Only for water cooling systems

Models and specifications are subject to change without notice  
Rev. 00 - Issued September 2016



CV 1650

Modular ice maker up to 780 kg – Vertical evaporator system

• Position n°



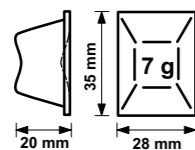
• Application fields

Hotel	●●●●●●●●	Fish market	●●●●●●●●
Restaurant	●●●●●●●●	Supermarket	●●●●●●●●
Fast food	●●●●●●●●	SPA	●●●●●●●●
Bar	●●●●●●●●	Medical	●●●●●●●●
Disco	●●●●●●●●	Industry	●●●●●●●●

• Features & Plus

- Flat cube 7 gr crystalline and compact
- Our vertical evaporator provides separated cubes
- External structure AISI 304 Scotch Brite
- Electromechanical functioning
- Standard and special voltages
- ON-OFF switch
- Removable air filter for easy cleaning
- Washing system
- Conformity to RoHS directive
- Easy cleaning thanks to rounded surfaces
- Model in Tropical Class + 43 °C

• Available dice size



• Prod. 24h

Air temp.	Water temp.	Prod. 24h kg
10° C	10° C	780
21° C	15° C	770
32° C	21° C	680

• Usable Bins

- Bin T830

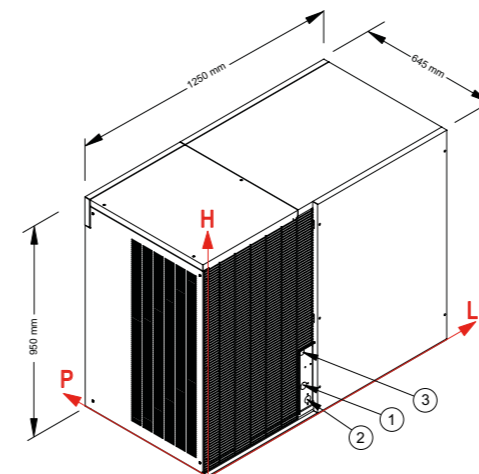
• Working conditions

- Location: Indoor

	Min	Max
Ambient temperature	+10° C	+43° C
Water temperature	+3° C	+32° C
Voltage	-10%	+10%
Water inlet pressure	1bar (14 psi)	6bar (84 psi)

• Technical information

Production in 24h	770 kg
Cooling system	A
Kind of cube	7 g
Refrigerant	R404A
Standard voltage	400-415 V ~ 3N 50 Hz
Electrical consumption	4300 W
Fuse	32 A
Water consumption	1,4 l/kg
Sizes (L-P-H mm)	1250 - 645 - 950
Sizes with pack (L-P-H mm)	1350 - 745 - 1150
Net weight	186 kg
Gross weight	242 kg
Finish	AISI 304 stainless steel, scotch brite

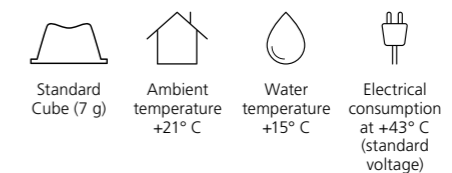


• Connections

All measures are referred to the rear bottom-left corner (L-H-Ø)

- ① Water inlet:  
527 mm - 137 mm - 3/4"
- ② Water outlet:  
550 mm - 65 mm - 24 mm
- ③ Electrical connections:  
520 mm - 292 mm

All the technical information must be considered at the following conditions:



Models and specifications are subject to change without notice  
Rev. 00 - Issued September 2016

2 Years Warranty

subject to limitations

• Certifications available for this model





IFT 54



Self-contained ice maker up to 28 kg - Paddle system

• Position n°



• Application fields

Hotel	●●●●●●●●	Fish market	●●●●●●●●
Restaurant	●●●●●●●●	Supermarket	●●●●●●●●
Fast food	●●●●●●●●	SPA	●●●●●●●●
Bar	●●●●●●●●	Medical	●●●●●●●●
Disco	●●●●●●●●	Industry	●●●●●●●●

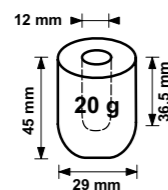
• Features & Plus

- Hollow cube 20 gr
- External structure AISI 304 Scotch Brite
- Electromechanical functioning
- Air Cooling and Water Cooling systems
- Standard and special voltages
- Insulated retractable door
- ON-OFF switch
- Side grilles for better ventilation
- Removable side panels
- External protective filter, removable, easy to clean
- Water basin materials FDA approved
- Basin tipping safety system
- Automatic water charge
- Internal bin insulation HCFC free
- Conformity to RoHS directive
- Easy cleaning thanks to rounded surfaces
- Model in Tropical Class + 43 ° C
- Undercounter model

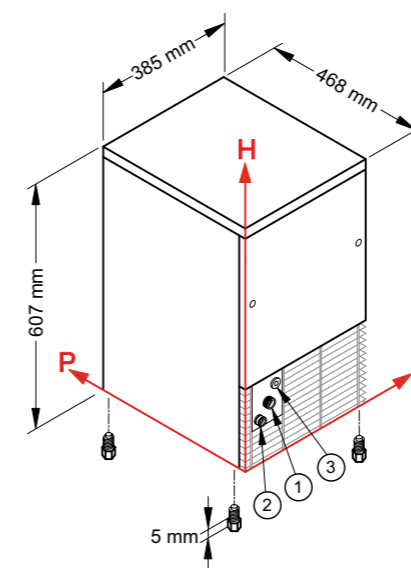
• Prod. 24h

Air temp.	Water temp.	Prod. 24h kg
10° C	10° C	28
21° C	15° C	25
32° C	21° C	17

• Available dice size



• Certifications available for this model



• Connections

All measures are referred to the rear bottom-left corner (L-H-Ø)

- ① Water inlet: 111 mm - 175 mm - 3/4"
- ② Water outlet: 49 mm - 130 mm - 24 mm
- ③ Electrical connection: 156 mm - 211 mm

• Working conditions

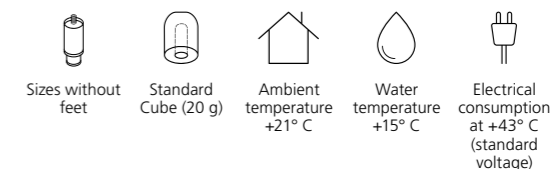
- Location: Indoor

	Min	Max
Ambient temperature	+10° C	+43° C
Water temperature	+3° C	+32° C
Voltage	-10%	+10%
Water inlet pressure	1bar (14 psi)	6bar (84 psi)

• Technical information

Production in 24h	25 kg
Store capacity, up to	4 kg
Cooling system	A - W
Kind of cube	20 g
Refrigerant	R404A
Standard voltage	220-240 V ~ 50 Hz
Electrical consumption	310 W
Fuse	10 A
Water consumption	A: 4,5 l/kg W: 15,5 l/kg
Sizes (L-P-H mm)	385 - 468 - 607
Sizes with pack (L-P-H mm)	440 - 520 - 800
Net weight	36 kg
Gross weight	42 kg
Finish	AISI 304 stainless steel, scotch brite

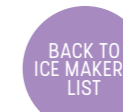
All the technical information must be considered at the following conditions:



Models and specifications are subject to change without notice  
Rev. 00 - Issued September 2016



IFT 55



Self-contained ice maker up to 28 kg - Paddle system

• Position n°



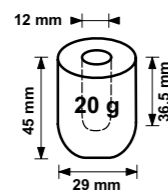
• Application fields

Hotel	●●●●●●●●	Fish market	●●●●●●●●
Restaurant	●●●●●●●●	Supermarket	●●●●●●●●
Fast food	●●●●●●●●	SPA	●●●●●●●●
Bar	●●●●●●●●	Medical	●●●●●●●●
Disco	●●●●●●●●	Industry	●●●●●●●●

• Features & Plus

- Hollow cube 20 gr
- External structure AISI 304 Scotch Brite
- Electromechanical functioning
- Air Cooling and Water Cooling systems
- Standard and special voltages
- Insulated retractable door
- ON-OFF switch
- Side grilles for better ventilation
- Removable side panels
- External protective filter, removable, easy to clean
- Water basin materials FDA approved
- Basin tipping safety system
- Automatic water charge
- Internal bin insulation HCFC free
- Conformity to RoHS directive
- Easy cleaning thanks to rounded surfaces
- Model in Tropical Class + 43 ° C
- Undercounter model

• Available dice size



• Prod. 24h

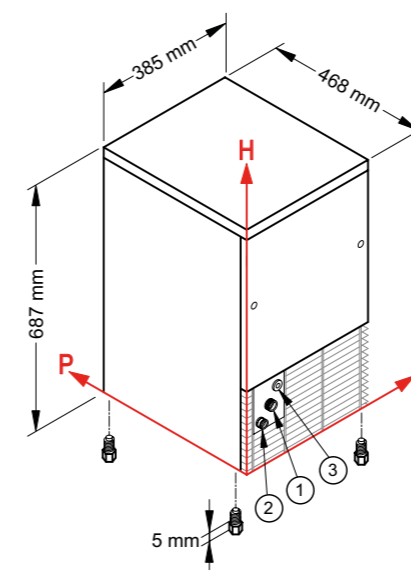
Air temp.	Water temp.	Prod. 24h kg
10° C	10° C	28
21° C	15° C	25
32° C	21° C	17

• Certifications available for this model



2 Years Warranty

subject to limitations



• Connections

All measures are referred to the rear bottom-left corner (L-H-Ø)

- ① Water inlet: 111 mm - 175 mm - 3/4"
- ② Water outlet: 49 mm - 130 mm - 24 mm
- ③ Electrical connection: 156 mm - 211 mm

• Working conditions

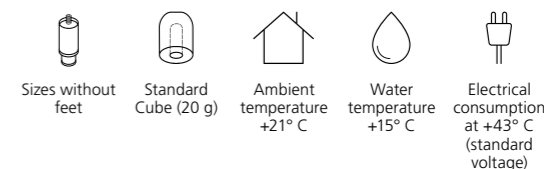
- Location: Indoor

	Min	Max
Ambient temperature	+10° C	+43° C
Water temperature	+3° C	+32° C
Voltage	-10%	+10%
Water inlet pressure	1bar (14 psi)	6bar (84 psi)

• Technical information

Production in 24h	25 kg
Store capacity, up to	8 kg
Cooling system	A - W
Kind of cube	20 g
Refrigerant	R404A
Standard voltage	220-240 V ~ 50 Hz
Electrical consumption	310 W
Fuse	10 A
Water consumption	A: 4,5 l/kg W: 15,5 l/kg
Sizes (L-P-H mm)	385 - 468 - 687
Sizes with pack (L-P-H mm)	440 - 520 - 880
Net weight	38 kg
Gross weight	45 kg
Finish	AISI 304 stainless steel, scotch brite

All the technical information must be considered at the following conditions:



Models and specifications are subject to change without notice  
Rev. 00 - Issued September 2016



IFT 65



Self-contained ice maker up to 40 kg - Paddle system

• Position n°



• Application fields

Hotel	●●●●●●●●	Fish market	●●●●●●●●
Restaurant	●●●●●●●●	Supermarket	●●●●●●●●
Fast food	●●●●●●●●	SPA	●●●●●●●●
Bar	●●●●●●●●	Medical	●●●●●●●●
Disco	●●●●●●●●	Industry	●●●●●●●●

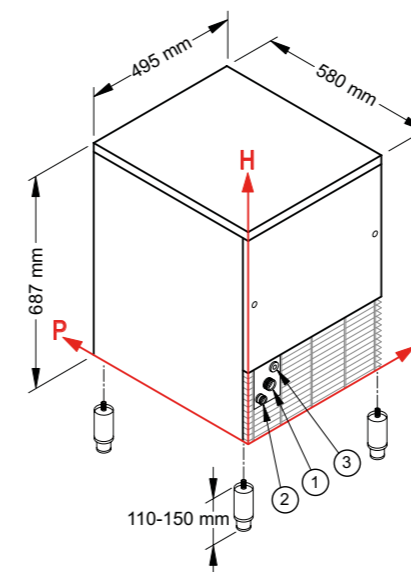
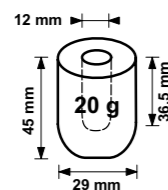
• Features & Plus

- Hollow cube 20 gr
- External structure AISI 304 Scotch Brite
- Electromechanical functioning
- Air Cooling and Water Cooling systems
- Standard and special voltages
- Insulated retractable door
- ON-OFF switch
- Side grilles for better ventilation
- Removable side panels
- External protective filter, removable, easy to clean
- Water basin materials FDA approved
- Basin tipping safety system
- Automatic water charge
- Internal bin insulation HCFC free
- Conformity to RoHS directive
- Easy cleaning thanks to rounded surfaces
- Model in Tropical Class + 43 ° C
- Adjustable Stainless Steel feet
- Undercounter model

• Prod. 24h

Air temp.	Water temp.	Prod. 24h kg
10° C	10° C	40
21° C	15° C	35
32° C	21° C	24

• Available dice size



• Connections

All measures are referred to the rear bottom-left corner (L-H-Ø)

- ① Water inlet:  
111 mm - 196 mm - 3/4"
- ② Water outlet:  
49 mm - 151 mm - 24 mm
- ③ Electrical connection:  
156 mm - 232 mm

• Working conditions

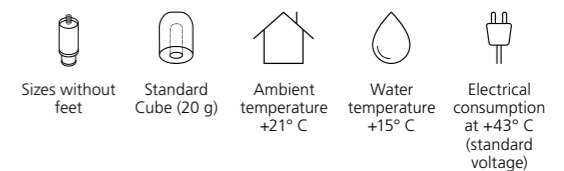
- Location: Indoor

	Min	Max
Ambient temperature	+10° C	+43° C
Water temperature	+3° C	+32° C
Voltage	-10%	+10%
Water inlet pressure	1bar (14 psi)	6bar (84 psi)

• Technical information

Production in 24h	35 kg
Store capacity, up to	15 kg
Cooling system	A - W
Kind of cube	20 g
Refrigerant	R404A
Standard voltage	220-240 V ~ 50 Hz
Electrical consumption	310 W
Fuse	10 A
Water consumption	A: 4,4 l/kg W: 13,3 l/kg
Sizes (L-P-H mm)	495 - 580 - 687
Sizes with pack (L-P-H mm)	550 - 630 - 880
Net weight	47 kg
Gross weight	55 kg
Finish	AISI 304 stainless steel, scotch brite

All the technical information must be considered at the following conditions:



Models and specifications are subject to change without notice  
Rev. 00 - Issued September 2016

2 Years Warranty

subject to limitations

• Certifications available for this model





IFT 120



BACK TO ICE MAKERS LIST

PREVIOUS

NEXT

Self-contained ice maker up to 60 kg - Paddle system

• Position n°



• Application fields

Hotel	●●●●●●●●	Fish market	●●●●●●●●
Restaurant	●●●●●●●●	Supermarket	●●●●●●●●
Fast food	●●●●●●●●	SPA	●●●●●●●●
Bar	●●●●●●●●	Medical	●●●●●●●●
Disco	●●●●●●●●	Industry	●●●●●●●●

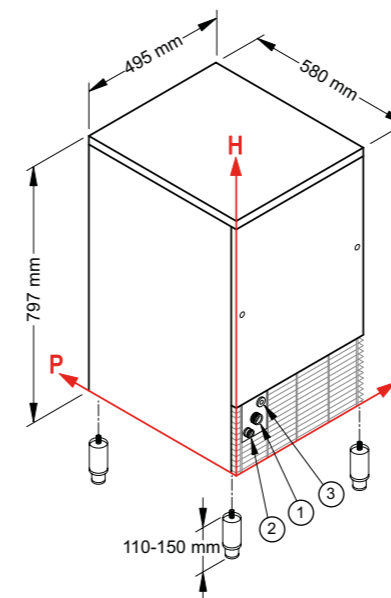
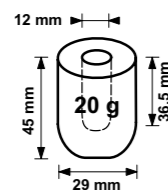
• Features & Plus

- Hollow cube 20 gr
- External structure AISI 304 Scotch Brite
- Electromechanical functioning
- Air Cooling and Water Cooling systems
- Standard and special voltages
- Insulated retractable door
- ON-OFF switch
- Side grilles for better ventilation
- Removable side panels
- External protective filter, removable, easy to clean
- Water basin materials FDA approved
- Basin tipping safety system
- Automatic water charge
- Internal bin insulation HCFC free
- Conformity to RoHS directive
- Easy cleaning thanks to rounded surfaces
- Model in Tropical Class + 43 ° C
- Adjustable Stainless Steel feet
- Undercounter model

• Prod. 24h

Air temp.	Water temp.	Prod. 24h kg
10° C	10° C	60
21° C	15° C	50
32° C	21° C	41

• Available dice size



• Connections

All measures are referred to the rear bottom-left corner (L-H-Ø)

- ① Water inlet: 111 mm - 196 mm - 3/4"
- ② Water outlet: 49 mm - 151 mm - 24 mm
- ③ Electrical connection: 156 mm - 232 mm

• Working conditions

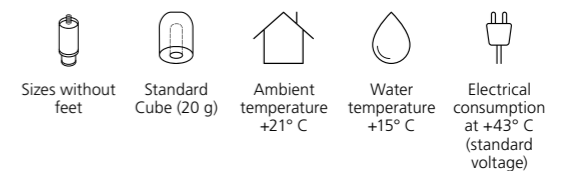
- Location: Indoor

	Min	Max
Ambient temperature	+10° C	+43° C
Water temperature	+3° C	+32° C
Voltage	-10%	+10%
Water inlet pressure	1bar (14 psi)	6bar (84 psi)

• Technical information

Production in 24h	50 kg
Store capacity, up to	20 kg
Cooling system	A - W
Kind of cube	20 g
Refrigerant	R404A
Standard voltage	220-240 V ~ 50 Hz
Electrical consumption	420 W
Fuse	10 A
Water consumption	A: 3,3 l/kg W: 10,5 l/kg
Sizes (L-P-H mm)	495 - 580 - 797
Sizes with pack (L-P-H mm)	550 - 630 - 990
Net weight	54 kg
Gross weight	62 kg
Finish	AISI 304 stainless steel, scotch brite

All the technical information must be considered at the following conditions:



Models and specifications are subject to change without notice  
Rev. 00 - Issued September 2016

2 Years Warranty

subject to limitations

• Certifications available for this model





**IFT 165**



BACK TO ICE MAKERS LIST

PREVIOUS

Self-contained ice maker up to 87 kg - Paddle system

• Position n°



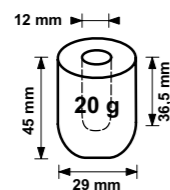
• Application fields

Hotel	●●●●●●●●	Fish market	●●●●●●●●
Restaurant	●●●●●●●●	Supermarket	●●●●●●●●
Fast food	●●●●●●●●	SPA	●●●●●●●●
Bar	●●●●●●●●	Medical	●●●●●●●●
Disco	●●●●●●●●	Industry	●●●●●●●●

• Features & Plus

- Hollow cube 20 gr
- External structure AISI 304 Scotch Brite
- Electromechanical functioning
- Air Cooling and Water Cooling systems
- Standard and special voltages
- Insulated retractable door
- ON-OFF switch
- Side grilles for better ventilation
- Removable side panels
- External protective filter, removable, easy to clean
- Water basin materials FDA approved
- Basin tipping safety system
- Automatic water charge
- Internal bin insulation HCFC free
- Conformity to RoHS directive
- Easy cleaning thanks to rounded surfaces
- Model in Tropical Class + 43 ° C
- Adjustable Stainless Steel feet

• Available dice size



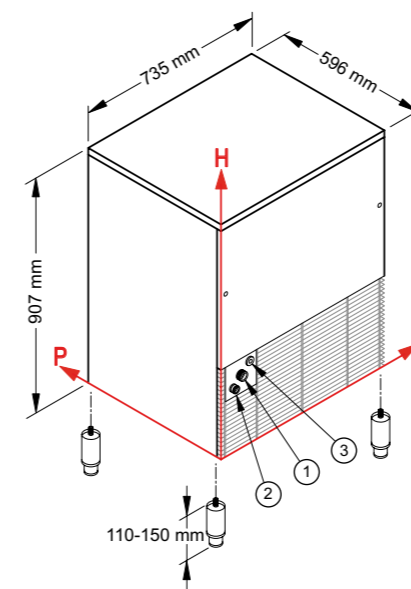
• Prod. 24h

Air temp.	Water temp.	Prod. 24h kg
10° C	10° C	87
21° C	15° C	75
32° C	21° C	60

• Certifications available for this model



**2 Years Warranty**  
subject to limitations



• Connections

All measures are referred to the rear bottom-left corner (L-H-Ø)

- ① Water inlet: 116 mm - 285 mm - 3/4"
- ② Water outlet: 54 mm - 240 mm - 24 mm
- ③ Electrical connection: 161 mm - 321 mm

• Working conditions

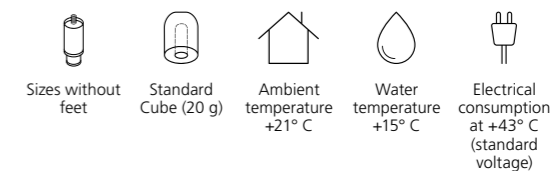
- Location: Indoor

	Min	Max
Ambient temperature	+10° C	+43° C
Water temperature	+3° C	+32° C
Voltage	-10%	+10%
Water inlet pressure	1bar (14 psi)	6bar (84 psi)

• Technical information

Production in 24h	75 kg
Store capacity, up to	30 kg
Cooling system	A - W
Kind of cube	20 g
Refrigerant	R404A
Standard voltage	220-240 V ~ 50 Hz
Electrical consumption	480 W
Fuse	10 A
Water consumption	A: 3,3 l/kg W: 10,5 l/kg
Sizes (L-P-H mm)	735 - 596 - 907
Sizes with pack (L-P-H mm)	780 - 640 - 1085
Net weight	75 kg
Gross weight	87 kg
Finish	AISI 304 stainless steel, scotch brite

All the technical information must be considered at the following conditions:



Models and specifications are subject to change without notice  
Rev. 00 - Issued September 2016





SLT 100



Self-contained ice maker up to 59 kg - Pebble system

• Position n°



• Application fields

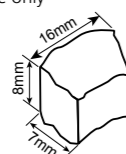
Hotel	●●●●●●●●	Fish market	●●●●●●●●
Restaurant	●●●●●●●●	Supermarket	●●●●●●●●
Fast food	●●●●●●●●	SPA	●●●●●●●●
Bar	●●●●●●●●	Medical	●●●●●●●●
Disco	●●●●●●●●	Industry	●●●●●●●●

• Features & Plus

- Compact and longlasting nuggets
- Low consumption (1 liter water / 1 kg ice) - aircooled vers.
- Electromechanical functioning
- External structure AISI 304 Scotch Brite
- Evaporator AISI 304, auger AISI 303 made
- Air Cooling and Water Cooling systems
- Standard and special voltages
- Insulated retractable door
- ON-OFF switch
- Dust proof water basin
- Easy cleaning thanks to rounded surfaces
- External protective filter, removable, easy to clean
- Internal bin insulation HCFC free
- Conformity to RoHS directive
- Automatic water charge
- Model in Tropical Class + 43 ° C
- Undercounter model

• Available pebble size

Drawing for reference only



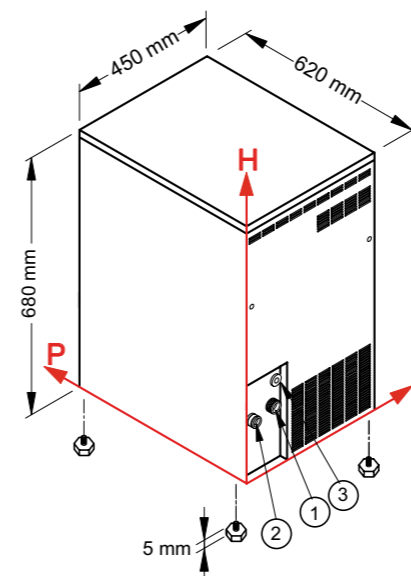
• Prod. 24h

Air temp.	Water temp.	Prod. 24h kg
10° C	10° C	59
21° C	15° C	55
32° C	21° C	46

• Certifications available for this model



**2 Years Warranty**  
subject to limitations



• Connections

All measures are referred to the rear bottom-left corner (L-H-Ø)

- ① Water inlet:  
106 mm - 135 mm - 3/4"
- ② Water outlet:  
55 mm - 140 mm - 24 mm
- ③ Electrical connection:  
114 mm - 218 mm

• Working conditions

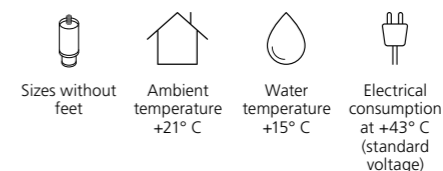
- Location: Indoor

	Min	Max
Ambient temperature	+10° C	+43° C
Water temperature	+3° C	+32° C
Voltage	-10%	+10%
Water inlet pressure	1bar (14 psi)	6bar (84 psi)

• Technical information

Production in 24h	55 kg
Store capacity, up to	10 kg
Cooling system	A - W
Approximate pebble size	8 x 16 x 7
Refrigerant	R404A
Standard voltage	220-240 V ~ 50 Hz
Electrical consumption	420 W
Fuse	10 A
Water consumption	A: 1 l/kg W: 5,3 l/kg
Sizes (L-P-H mm)	450 - 620 - 680
Sizes with pack (L-P-H mm)	505 - 675 - 850
Net weight	56 kg
Gross weight	64 kg
Finish	AISI 304 stainless steel, scotch brite

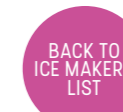
All the technical information must be considered at the following conditions:



Models and specifications are subject to change without notice  
Rev. 00 - Issued September 2016



SLT 170



Self-contained ice maker up to 96 kg - Pebble system

• Position n°



• Application fields

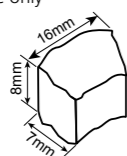
Hotel	●●●●●●●●	Fish market	●●●●●●●●
Restaurant	●●●●●●●●	Supermarket	●●●●●●●●
Fast food	●●●●●●●●	SPA	●●●●●●●●
Bar	●●●●●●●●	Medical	●●●●●●●●
Disco	●●●●●●●●	Industry	●●●●●●●●

• Features & Plus

- Compact and longlasting nuggets
- Low consumption (1 liter water / 1 kg ice) - aircooled vers.
- Electromechanical functioning
- External structure AISI 304 Scotch Brite
- Evaporator AISI 304, auger AISI 303 made
- Air Cooling and Water Cooling systems
- Standard and special voltages
- Insulated retractable door
- ON-OFF switch
- Dust proof water basin
- Easy cleaning thanks to rounded surfaces
- External protective filter, removable, easy to clean
- Internal bin insulation HCFC free
- Conformity to RoHS directive
- Automatic water charge
- Model in Tropical Class + 43 ° C
- Undercounter model

• Available pebble size

Drawing for reference only



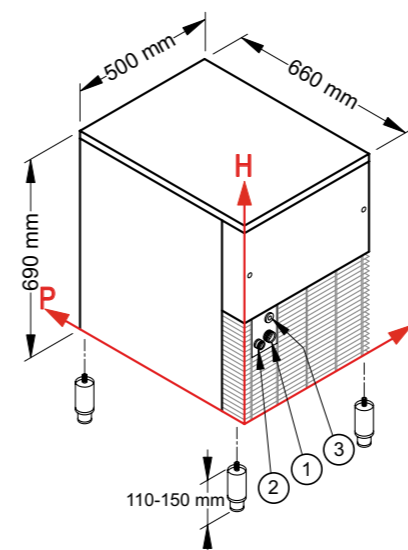
• Prod. 24h

Air temp.	Water temp.	Prod. 24h kg
10° C	10° C	96
21° C	15° C	85
32° C	21° C	71

• Certifications available for this model



**2 Years Warranty**  
subject to limitations



• Connections

All measures are referred to the rear bottom-left corner (L-H-Ø)

- ① Water inlet:  
99 mm - 158 mm - 3/4"
- ② Water outlet:  
48 mm - 151 mm - 24 mm
- ③ Electrical connection:  
87 mm - 230 mm

• Working conditions

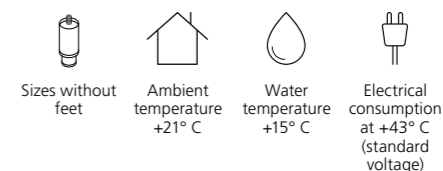
- Location: Indoor

	Min	Max
Ambient temperature	+10° C	+43° C
Water temperature	+3° C	+32° C
Voltage	-10%	+10%
Water inlet pressure	1bar (14 psi)	6bar (84 psi)

• Technical information

Production in 24h	85 kg
Store capacity, up to	20 kg
Cooling system	A - W
Approximate pebble size	8 x 16 x 7
Refrigerant	R404A
Standard voltage	220-240 V ~ 50 Hz
Electrical consumption	550 W
Fuse	10 A
Water consumption	A: 1 l/kg W: 6,3 l/kg
Sizes (L-P-H mm)	500 - 660 - 690
Sizes with pack (L-P-H mm)	550 - 720 - 880
Net weight	59 kg
Gross weight	67 kg
Finish	AISI 304 stainless steel, scotch brite

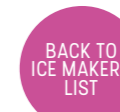
All the technical information must be considered at the following conditions:



Models and specifications are subject to change without notice  
Rev. 00 - Issued September 2016



SLT 270



Self-contained ice maker up to 150 kg - Pebble system

• Position n°



• Application fields

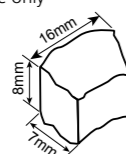
Hotel	●●●●●●●●	Fish market	●●●●●●●●
Restaurant	●●●●●●●●	Supermarket	●●●●●●●●
Fast food	●●●●●●●●	SPA	●●●●●●●●
Bar	●●●●●●●●	Medical	●●●●●●●●
Disco	●●●●●●●●	Industry	●●●●●●●●

• Features & Plus

- Compact and longlasting nuggets
- Low consumption (1 liter water / 1 kg ice) - aircooled vers.
- Electromechanical functioning
- External structure AISI 304 Scotch Brite
- Evaporator AISI 304, auger AISI 303 made
- Air Cooling and Water Cooling systems
- Standard and special voltages
- Insulated retractable door
- ON-OFF switch
- Dust proof water basin
- Easy cleaning thanks to rounded surfaces
- External protective filter, removable, easy to clean
- Internal bin insulation HCFC free
- Conformity to RoHS directive
- Automatic water charge
- Model in Tropical Class + 43 ° C
- Undercounter model

• Available pebble size

Drawing for reference only



• Prod. 24h

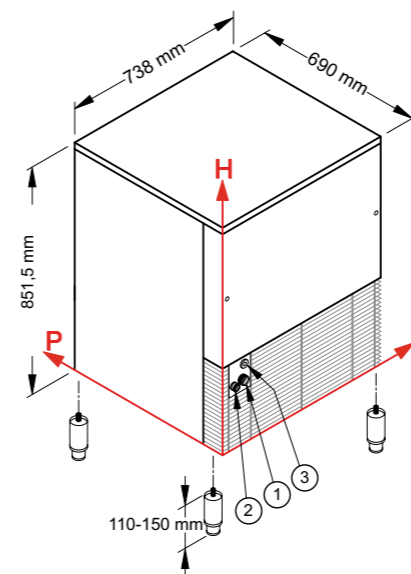
Air temp.	Water temp.	Prod. 24h kg
10° C	10° C	150
21° C	15° C	140
32° C	21° C	126

• Certifications available for this model



2 Years Warranty

subject to limitations



• Connections

All measures are referred to the rear bottom-left corner (L-H-Ø)

- ① Water inlet: 104 mm - 182 mm - 3/4"
- ② Water outlet: 53 mm - 175 mm - 24 mm
- ③ Electrical connection: 92 mm - 254 mm

• Working conditions

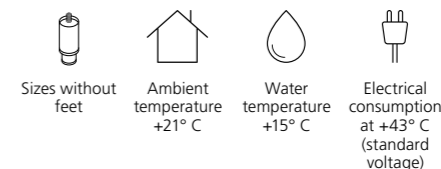
- Location: Indoor

	Min	Max
Ambient temperature	+10° C	+43° C
Water temperature	+3° C	+32° C
Voltage	-10%	+10%
Water inlet pressure	1bar (14 psi)	6bar (84 psi)

• Technical information

Production in 24h	140 kg
Store capacity, up to	40 kg
Cooling system	A - W
Approximate pebble size	8 x 16 x 7
Refrigerant	R404A
Standard voltage	220-240 V ~ 50 Hz
Electrical consumption	650 W
Fuse	10 A
Water consumption	A: 1 l/kg W: 6,4 l/kg
Sizes (L-P-H mm)	738 - 690 - 851,5
Sizes with pack (L-P-H mm)	780 - 735 - 1015
Net weight	90 kg
Gross weight	100 kg
Finish	AISI 304 stainless steel, scotch brite

All the technical information must be considered at the following conditions:



Models and specifications are subject to change without notice  
Rev. 00 - Issued September 2016



SLT 290



Self-contained ice maker up to 150 kg - Pebble system

• Position n°



• Application fields

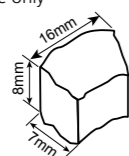
Hotel	●●●●●●●●	Fish market	●●●●●●●●
Restaurant	●●●●●●●●	Supermarket	●●●●●●●●
Fast food	●●●●●●●●	SPA	●●●●●●●●
Bar	●●●●●●●●	Medical	●●●●●●●●
Disco	●●●●●●●●	Industry	●●●●●●●●

• Features & Plus

- Compact and longlasting nuggets
- Low consumption (1 liter water / 1 kg ice) - aircooled vers.
- Electromechanical functioning
- External structure AISI 304 Scotch Brite
- Evaporator AISI 304, auger AISI 303 made
- Air Cooling and Water Cooling systems
- Standard and special voltages
- Insulated retractable door
- ON-OFF switch
- Dust proof water basin
- Easy cleaning thanks to rounded surfaces
- External protective filter, removable, easy to clean
- Internal bin insulation HCFC free
- Conformity to RoHS directive
- Automatic water charge
- Model in Tropical Class + 43 ° C

• Available pebble size

Drawing for reference only



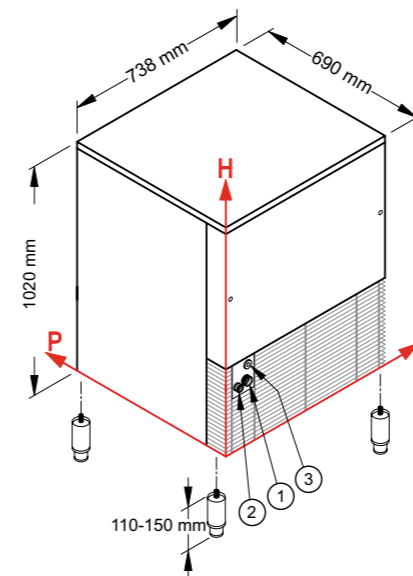
• Prod. 24h

Air temp.	Water temp.	Prod. 24h kg
10° C	10° C	150
21° C	15° C	140
32° C	21° C	126

• Certifications available for this model



**2 Years Warranty**  
subject to limitations



• Connections

All measures are referred to the rear bottom-left corner (L-H-Ø)

- ① Water inlet:  
104 mm - 247 mm - 3/4"
- ② Water outlet:  
53 mm - 240 mm - 24 mm
- ③ Electrical connection:  
92 mm - 319 mm

• Working conditions

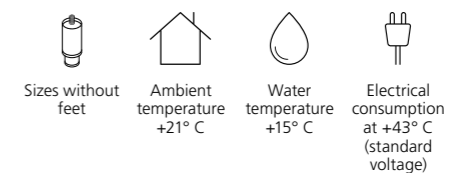
- Location: Indoor

	Min	Max
Ambient temperature	+10° C	+43° C
Water temperature	+3° C	+32° C
Voltage	-10%	+10%
Water inlet pressure	1bar (14 psi)	6bar (84 psi)

• Technical information

Production in 24h	140 kg
Store capacity, up to	50 kg
Cooling system	A - W
Approximate pebble size	8 x 16 x 7
Refrigerant	R404A
Standard voltage	220-240 V ~ 50 Hz
Electrical consumption	650 W
Fuse	10 A
Water consumption	A: 1 l/kg W: 6,4 l/kg
Sizes (L-P-H mm)	738 - 690 - 1020
Sizes with pack (L-P-H mm)	780 - 735 - 1185
Net weight	94 kg
Gross weight	105 kg
Finish	AISI 304 stainless steel, scotch brite

All the technical information must be considered at the following conditions:



Models and specifications are subject to change without notice  
Rev. 00 - Issued September 2016



**MGT 310**



Modular ice maker up to 145 kg - Pebble system

• Position n°



• Application fields

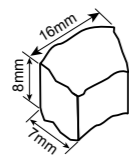
Hotel	●●●●●●●●	Fish market	●●●●●●●●
Restaurant	●●●●●●●●	Supermarket	●●●●●●●●
Fast food	●●●●●●●●	SPA	●●●●●●●●
Bar	●●●●●●●●	Medical	●●●●●●●●
Disco	●●●●●●●●	Industry	●●●●●●●●

• Features & Plus

- Compact and longlasting nuggets
- Low consumption (1 liter water / 1 kg ice) - aircooled vers.
- Electromechanical functioning
- External structure AISI 304 Scotch Brite
- Evaporator AISI 304, auger AISI 303 made
- Air Cooling and Water Cooling systems
- Standard and special voltages
- ON-OFF switch
- Dust proof water basin
- Easy cleaning thanks to rounded surfaces
- Removable and cleanable air filter
- Conformity to RoHS directive
- Automatic water charge
- Model in Tropical Class + 43 °C
- Monoblock frame, stainless steel made

• Available pebble size

Drawing for reference only



• Prod. 24h

Air temp.	Water temp.	Prod. 24h kg
10° C	10° C	145
21° C	15° C	140
32° C	21° C	136

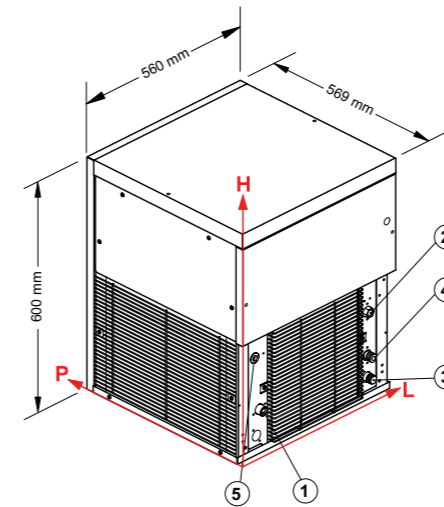
• Usable Bins

- Bin PE530
- Bin T250
- Bin T420
- RB 140

• Certifications available for this model



**2 Years Warranty**  
subject to limitations



• Connections

All measures are referred to the rear bottom-left corner (L-H-Ø)

- ① Water inlet:  
85,5 mm - 130 mm - 3/4"
- ② Condenser water inlet:  
479,5 mm - 260 mm - 3/4"
- ③ Water outlet:  
479,5 mm - 65 mm - 24 mm
- ④ Condenser water outlet:  
479,5 mm - 130 mm - 24 mm
- ⑤ Electrical connections:  
67,5 mm - 290 mm

• Working conditions

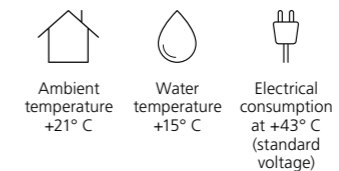
- Location: Indoor

	Min	Max
Ambient temperature	+10° C	+43° C
Water temperature	+3° C	+32° C
Voltage	-10%	+10%
Water inlet pressure	1bar (14 psi)	6bar (84 psi)

• Technical information

Production in 24h	140 kg
Cooling system	A - W
Approximate pebble size	8 x 16 x 7
Refrigerant	R404A
Standard voltage	220-240 V ~ 50 Hz
Electrical consumption	650 W
Fuse	10 A
Water consumption	A: 1 l/kg W: 5,5 l/kg
Sizes (L-P-H mm)	560 - 569 - 600
Sizes with pack (L-P-H mm)	645 - 645 - 810
Net weight	63 kg
Gross weight	74 kg
Finish	AISI 304 stainless steel, scotch brite

All the technical information must be considered at the following conditions:



②④ Only for water cooling systems

Models and specifications are subject to change without notice  
Rev. 00 - Issued September 2016



**MGT 560**



BACK TO ICE MAKERS LIST

PREVIOUS

NEXT

Modular ice maker up to 271 kg - Pebble system

• Position n°



• Application fields

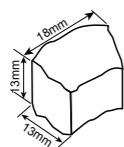
Hotel	●●●●●●●●	Fish market	●●●●●●●●
Restaurant	●●●●●●●●	Supermarket	●●●●●●●●
Fast food	●●●●●●●●	SPA	●●●●●●●●
Bar	●●●●●●●●	Medical	●●●●●●●●
Disco	●●●●●●●●	Industry	●●●●●●●●

• Features & Plus

- Compact and longlasting nuggets
- Low consumption (1 liter water / 1 kg ice) - aircooled vers.
- Electromechanical functioning
- External structure AISI 304 Scotch Brite
- Evaporator AISI 304 made, auger AISI 303 made
- Air Cooling and Water Cooling systems
- Standard and special voltages
- ON-OFF switch
- Dust proof water basin
- Easy cleaning thanks to rounded surfaces
- Removable and cleanable air filter
- Conformity to RoHS directive
- Automatic water charge
- Model in Tropical Class + 43 °C
- Monoblock frame, stainless steel made

• Available pebble size

Drawing for reference only



• Prod. 24h

Air temp.	Water temp.	Prod. 24h kg
10° C	10° C	271
21° C	15° C	250
32° C	21° C	218

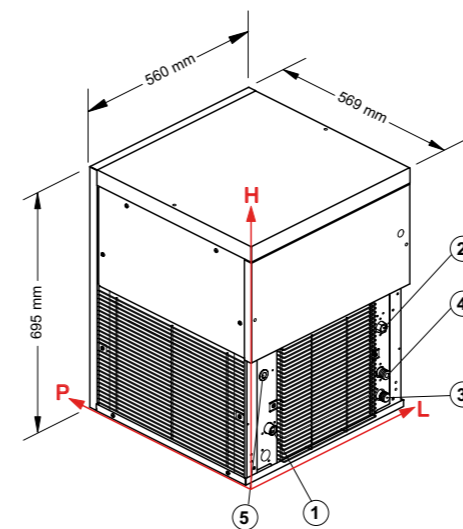
• Usable Bins

- Bin PE530
- Bin T250
- Bin T420
- Bin T830
- RB 140
- RB 280

• Certifications available for this model



**2 Years Warranty**  
subject to limitations



• Connections

All measures are referred to the rear bottom-left corner (L-H-Ø)

- ① Water inlet: 85,5 mm - 130 mm - 3/4"
- ② Condenser water inlet: 479,5 mm - 260 mm - 3/4"
- ③ Water outlet: 479,5 mm - 65 mm - 24 mm
- ④ Condenser water outlet: 479,5 mm - 130 mm - 24 mm
- ⑤ Electrical connections: 67,5 mm - 290 mm

• Working conditions

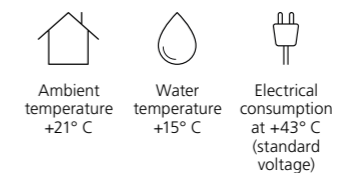
- Location: Indoor

	Min	Max
Ambient temperature	+10° C	+43° C
Water temperature	+3° C	+32° C
Voltage	-10%	+10%
Water inlet pressure	1bar (14 psi)	6bar (84 psi)

• Technical information

Production in 24h	250 kg
Cooling system	A - W
Approximate pebble size	13 x 18 x 13
Refrigerant	R404A
Standard voltage	220-240 V ~ 50 Hz
Electrical consumption	1050 W
Fuse	10 A
Water consumption	A: 1 l/kg W: 5,2 l/kg
Sizes (L-P-H mm)	560 - 569 - 695
Sizes with pack (L-P-H mm)	645 - 645 - 910
Net weight	83 kg
Gross weight	93 kg
Finish	AISI 304 stainless steel, scotch brite

All the technical information must be considered at the following conditions:



② ④ Only for water cooling systems

Models and specifications are subject to change without notice  
Rev. 00 - Issued September 2016



MGT 900



Modular ice maker up to 486 kg – Pebble system

• Position n°



• Application fields

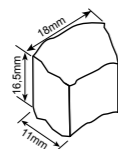
Hotel	●●●●●●●●	Fish market	●●●●●●●●
Restaurant	●●●●●●●●	Supermarket	●●●●●●●●
Fast food	●●●●●●●●	SPA	●●●●●●●●
Bar	●●●●●●●●	Medical	●●●●●●●●
Disco	●●●●●●●●	Industry	●●●●●●●●

• Features & Plus

- Compact and longlasting nuggets
- Low consumption (1 liter water / 1 kg ice) - aircooled vers.
- Electromechanical functioning
- External structure AISI 304 Scotch Brite
- Evaporator AISI 304, auger AISI 303 made
- Air Cooling and Water Cooling systems
- Standard and special voltages
- ON-OFF switch
- Dust proof water basin
- Easy cleaning thanks to rounded surfaces
- Removable and cleanable air filter
- Conformity to RoHS directive
- Automatic water charge
- Model in Tropical Class + 43 °C
- Monoblock frame, stainless steel made

• Available pebble size

Drawing for reference only



• Prod. 24h

Air temp.	Water temp.	Prod. 24h kg
10° C	10° C	486
21° C	15° C	440
32° C	21° C	366

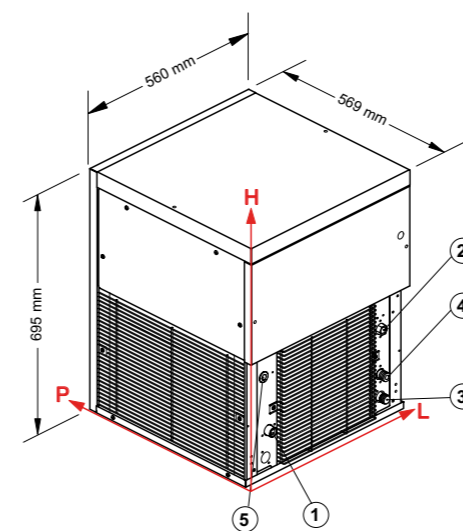
• Usable Bins

- Bin PE530
- Bin T250
- Bin T420
- Bin T830
- Bin 1200DD
- RB 140
- RB 280
- DRB 1100
- DRB 2500

• Certifications available for this model



**2 Years Warranty**  
subject to limitations



• Connections

All measures are referred to the rear bottom-left corner (L-H-Ø)

- ① Water inlet:  
85,5 mm - 130 mm - 3/4"
- ② Condenser water inlet:  
479,5 mm - 260 mm - 3/4"
- ③ Water outlet:  
479,5 mm - 65 mm - 24 mm
- ④ Condenser water outlet:  
479,5 mm - 130 mm - 24 mm
- ⑤ Electrical connections:  
67,5 mm - 290 mm

• Working conditions

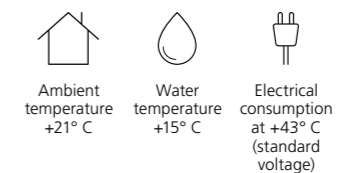
- Location: Indoor

	Min	Max
Ambient temperature	+10° C	+43° C
Water temperature	+3° C	+32° C
Voltage	-10%	+10%
Water inlet pressure	1bar (14 psi)	6bar (84 psi)

• Technical information

Production in 24h	440 kg
Cooling system	A - W
Approximate pebble size	16,5 x 18 x 11
Refrigerant	R404A
Standard voltage	220-240 V ~ 50 Hz
Electrical consumption	1700 W
Fuse	16 A
Water consumption	A: 1 l/kg W: 5,8 l/kg
Sizes (L-P-H mm)	560 - 569 - 695
Sizes with pack (L-P-H mm)	645 - 645 - 910
Net weight	102 kg
Gross weight	113 kg
Finish	AISI 304 stainless steel, scotch brite

All the technical information must be considered at the following conditions:



②④ Only for water cooling systems

Models and specifications are subject to change without notice  
Rev. 00 - Issued September 2016



**SLF 130**



Self-contained ice maker up to 66 kg - Granular system

• Position n°



• Application fields

Hotel	●●●●●●●●	Fish market	●●●●●●●●
Restaurant	●●●●●●●●	Supermarket	●●●●●●●●
Fast food	●●●●●●●●	SPA	●●●●●●●●
Bar	●●●●●●●●	Medical	●●●●●●●●
Disco	●●●●●●●●	Industry	●●●●●●●●

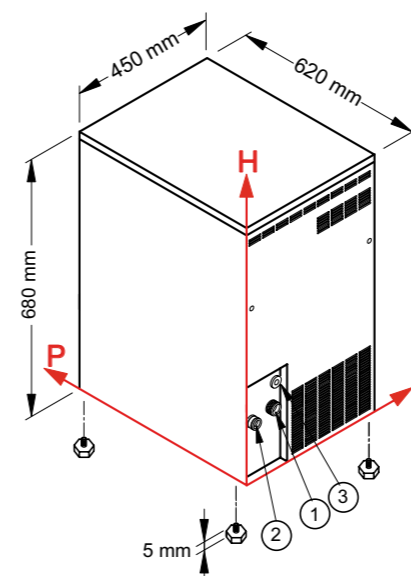
• Features & Plus

- Granular ice
- Low consumption (1 liter water / 1 kg ice) - aircooled vers.
- Electromechanical functioning
- External structure AISI 304 Scotch Brite
- Evaporator AISI 304, auger AISI 303 made
- Air Cooling and Water Cooling systems
- Standard and special voltages
- Insulated retractable door
- ON-OFF switch
- Dust proof water basin
- Easy cleaning thanks to rounded surfaces
- External protective filter, removable, easy to clean
- Removable side panels
- Internal bin insulation HCFC free
- Model in Tropical Class + 43 ° C
- Conformity to RoHS directive
- Undercounter model

• Prod. 24h

Air temp.	Water temp.	Prod. 24h kg
10° C	10° C	66
21° C	15° C	60
32° C	21° C	51

• Certifications available for this model



• Connections

All measures are referred to the rear bottom-left corner (L-H-Ø)

- ① Water inlet:  
106 mm - 135 mm - 3/4"
- ② Water outlet:  
55 mm - 140 mm - 24 mm
- ③ Electrical connection:  
114 mm - 218 mm

• Working conditions

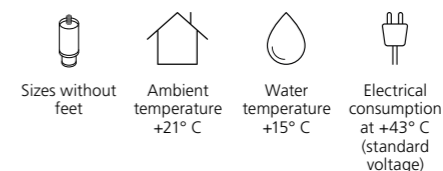
- Location: Indoor

	Min	Max
Ambient temperature	+10° C	+43° C
Water temperature	+3° C	+32° C
Voltage	-10%	+10%
Water inlet pressure	1bar (14 psi)	6bar (84 psi)

• Technical information

Production in 24h	60 kg
Store capacity, up to	10 kg
Cooling system	A - W
Refrigerant	R404A
Standard voltage	220-240 V ~ 50 Hz
Electrical consumption	420 W
Fuse	10 A
Water consumption	A: 1 l/kg W: 5,3 l/kg
Sizes (L-P-H mm)	450 - 620 - 680
Sizes with pack (L-P-H mm)	505 - 675 - 850
Net weight	56 kg
Gross weight	64 kg
Finish	AISI 304 stainless steel, scotch brite

All the technical information must be considered at the following conditions:



Models and specifications are subject to change without notice  
Rev. 00 - Issued September 2016





**SLF 190**



BACK TO ICE MAKERS LIST

PREVIOUS

NEXT

Self-contained ice maker up to 104 kg - Granular system

• Position n°



• Application fields

Hotel	●●●●●●●●	Fish market	●●●●●●●●
Restaurant	●●●●●●●●	Supermarket	●●●●●●●●
Fast food	●●●●●●●●	SPA	●●●●●●●●
Bar	●●●●●●●●	Medical	●●●●●●●●
Disco	●●●●●●●●	Industry	●●●●●●●●

• Features & Plus

- Granular ice
- Low consumption (1 liter water / 1 kg ice) - aircooled vers.
- Electromechanical functioning
- External structure AISI 304 Scotch Brite
- Evaporator AISI 304, auger AISI 303 made
- Air Cooling and Water Cooling systems
- Standard and special voltages
- Insulated retractable door
- ON-OFF switch
- Dust proof water basin
- Automatic water charge
- Easy cleaning thanks to rounded surfaces
- External protective filter, removable, easy to clean
- Removable side panels
- Internal bin insulation HCFC free
- Model in Tropical Class + 43 ° C
- Conformity to RoHS directive
- Adjustable Stainless Steel feet
- Undercounter model

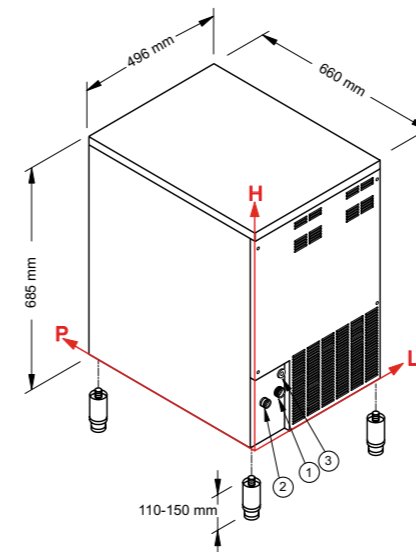
• Prod. 24h

Air temp.	Water temp.	Prod. 24h kg
10° C	10° C	104
21° C	15° C	95
32° C	21° C	81

• Certifications available for this model



**2 Years Warranty**  
subject to limitations



• Connections

All measures are referred to the rear bottom-left corner (L-H-Ø)

- ① Water inlet:  
105 mm - 135 mm - 3/4"
- ② Water outlet:  
55 mm - 140 mm - 24 mm
- ③ Electrical connection:  
115 mm - 220 mm

• Working conditions

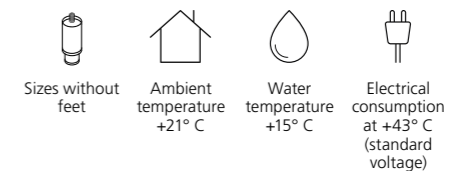
- Location: Indoor

	Min	Max
Ambient temperature	+10° C	+43° C
Water temperature	+3° C	+32° C
Voltage	-10%	+10%
Water inlet pressure	1bar (14 psi)	6bar (84 psi)

• Technical information

Production in 24h	95 kg
Store capacity, up to	19 kg
Cooling system	A - W
Refrigerant	R404A
Standard voltage	220-240 V ~ 50 Hz
Electrical consumption	550 W
Fuse	10 A
Water consumption	A: 1 l/kg W: 6,3 l/kg
Sizes (L-P-H mm)	496 - 660 - 685
Sizes with pack (L-P-H mm)	550 - 720 - 880
Net weight	59 kg
Gross weight	67 kg
Finish	AISI 304 stainless steel, scotch brite

All the technical information must be considered at the following conditions:



Models and specifications are subject to change without notice  
Rev. 00 - Issued September 2016



SLF 225



BACK TO ICE MAKERS LIST

PREVIOUS

NEXT

Self-contained ice maker up to 104 kg – Granular system

• Position n°



• Application fields

Hotel	●●●●●●●●	Fish market	●●●●●●●●
Restaurant	●●●●●●●●	Supermarket	●●●●●●●●
Fast food	●●●●●●●●	SPA	●●●●●●●●
Bar	●●●●●●●●	Medical	●●●●●●●●
Disco	●●●●●●●●	Industry	●●●●●●●●

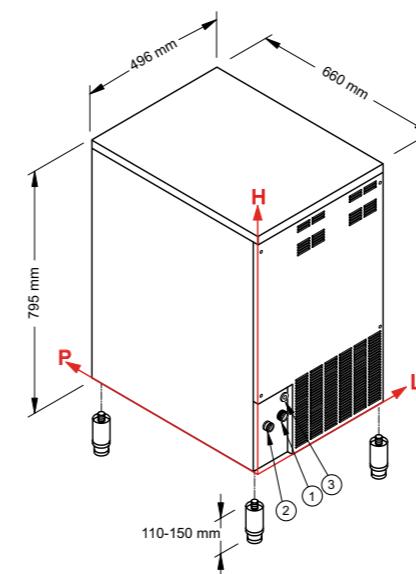
• Features & Plus

- Granular ice
- Low consumption (1 liter water / 1 kg ice) - aircooled vers.
- Electromechanical functioning
- External structure AISI 304 Scotch Brite
- Evaporator AISI 304, auger AISI 303 made
- Air Cooling and Water Cooling systems
- Standard and special voltages
- Insulated retractable door
- ON-OFF switch
- Dust proof water basin
- Automatic water charge
- Easy cleaning thanks to rounded surfaces
- External protective filter, removable, easy to clean
- Removable side panels
- Internal bin insulation HCFC free
- Model in Tropical Class + 43 ° C
- Conformity to RoHS directive
- Adjustable Stainless Steel feet
- Undercounter model

• Prod. 24h

Air temp.	Water temp.	Prod. 24h kg
10° C	10° C	104
21° C	15° C	95
32° C	21° C	81

• Certifications available for this model



• Connections

All measures are referred to the rear bottom-left corner (L-H-Ø)

- ① Water inlet: 105 mm - 135 mm - 3/4"
- ② Water outlet: 55 mm - 140 mm - 24 mm
- ③ Electrical connection: 115 mm - 220 mm

• Working conditions

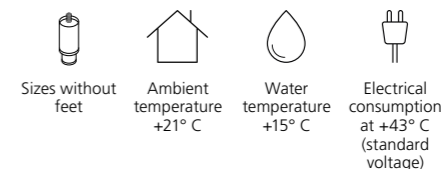
- Location: Indoor

	Min	Max
Ambient temperature	+10° C	+43° C
Water temperature	+3° C	+32° C
Voltage	-10%	+10%
Water inlet pressure	1bar (14 psi)	6bar (84 psi)

• Technical information

Production in 24h	95 kg
Store capacity, up to	28 kg
Cooling system	A - W
Refrigerant	R404A
Standard voltage	220-240 V ~ 50 Hz
Electrical consumption	550 W
Fuse	10 A
Water consumption	A: 1 l/kg
	W: 6,3 l/kg
Sizes (L-P-H mm)	496 - 660 - 795
Sizes with pack (L-P-H mm)	550 - 720 - 990
Net weight	63 kg
Gross weight	74 kg
Finish	AISI 304 stainless steel, scotch brite

All the technical information must be considered at the following conditions:



Models and specifications are subject to change without notice  
Rev. 00 - Issued September 2016

2 Years Warranty  
subject to limitations



**SLF 320**



Self-contained ice maker up to 180 kg – Granular system

• Position n°



• Application fields

Hotel	●●●●●●●●	Fish market	●●●●●●●●
Restaurant	●●●●●●●●	Supermarket	●●●●●●●●
Fast food	●●●●●●●●	SPA	●●●●●●●●
Bar	●●●●●●●●	Medical	●●●●●●●●
Disco	●●●●●●●●	Industry	●●●●●●●●

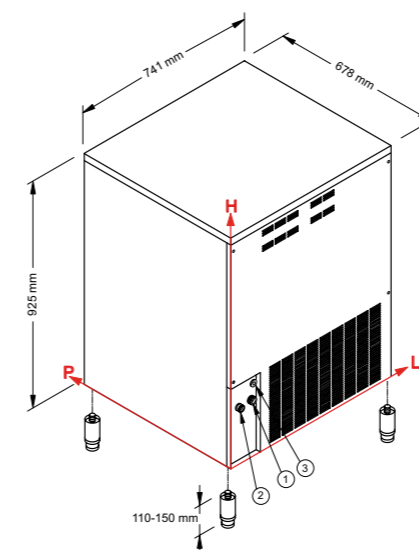
• Features & Plus

- Granular ice
- Low consumption (1 liter water / 1 kg ice) - aircooled vers.
- Electromechanical functioning
- External structure AISI 304 Scotch Brite
- Evaporator AISI 304, auger AISI 303 made
- Air Cooling and Water Cooling systems
- Standard and special voltages
- Insulated retractable door
- ON-OFF switch
- Dust proof water basin
- Automatic water charge
- Easy cleaning thanks to rounded surfaces
- External protective filter, removable, easy to clean
- Removable side panels
- Internal bin insulation HCFC free
- Model in Tropical Class + 43 ° C
- Conformity to RoHS directive
- Adjustable Stainless Steel feet

• Prod. 24h

Air temp.	Water temp.	Prod. 24h kg
10° C	10° C	180
21° C	15° C	155
32° C	21° C	140

• Certifications available for this model



• Connections

All measures are referred to the rear bottom-left corner (L-H-Ø)

- ① Water inlet:  
120 mm - 230 mm - 3/4"
- ② Water outlet:  
65 mm - 245 mm - 24 mm
- ③ Electrical connection:  
130 mm - 310 mm

• Working conditions

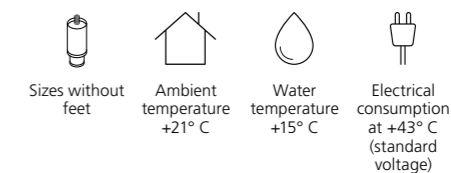
- Location: Indoor

	Min	Max
Ambient temperature	+10° C	+43° C
Water temperature	+3° C	+32° C
Voltage	-10%	+10%
Water inlet pressure	1bar (14 psi)	6bar (84 psi)

• Technical information

Production in 24h	155 kg
Store capacity, up to	38 kg
Cooling system	A - W
Refrigerant	R404A
Standard voltage	220-240 V ~ 50 Hz
Electrical consumption	650 W
Fuse	10 A
Water consumption	A: 1 l/kg W: 6,4 l/kg
Sizes (L-P-H mm)	741 - 678 - 925
Sizes with pack (L-P-H mm)	800 - 750 - 1055
Net weight	85 kg
Gross weight	95 kg
Finish	AISI 304 stainless steel, scotch brite

All the technical information must be considered at the following conditions:



Models and specifications are subject to change without notice  
Rev. 00 - Issued September 2016



**SLF 355**



Self-contained ice maker up to 180 kg – Granular system

• Position n°



• Application fields

Hotel	●●●●●●●●	Fish market	●●●●●●●●
Restaurant	●●●●●●●●	Supermarket	●●●●●●●●
Fast food	●●●●●●●●	SPA	●●●●●●●●
Bar	●●●●●●●●	Medical	●●●●●●●●
Disco	●●●●●●●●	Industry	●●●●●●●●

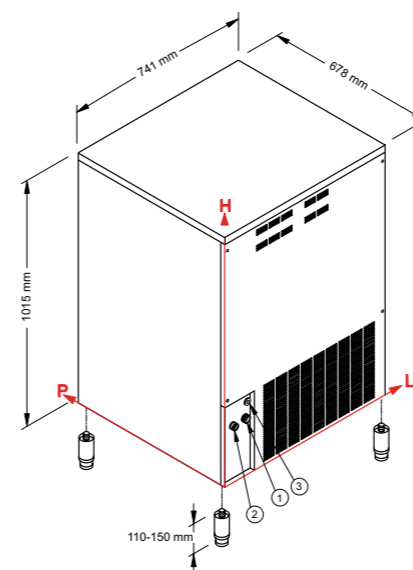
• Features & Plus

- Granular ice
- Low consumption (1 liter water / 1 kg ice) - aircooled vers.
- Electromechanical functioning
- External structure AISI 304 Scotch Brite
- Evaporator AISI 304, auger AISI 303 made
- Air Cooling and Water Cooling systems
- Standard and special voltages
- Insulated retractable door
- ON-OFF switch
- Dust proof water basin
- Automatic water charge
- Easy cleaning thanks to rounded surfaces
- External protective filter, removable, easy to clean
- Removable side panels
- Internal bin insulation HCFC free
- Model in Tropical Class + 43 ° C
- Conformity to RoHS directive
- Adjustable Stainless Steel feet

• Prod. 24h

Air temp.	Water temp.	Prod. 24h kg
10° C	10° C	180
21° C	15° C	155
32° C	21° C	140

• Certifications available for this model



• Connections

All measures are referred to the rear bottom-left corner (L-H-Ø)

- ① Water inlet:  
120 mm - 230 mm - 3/4"
- ② Water outlet:  
65 mm - 245 mm - 24 mm
- ③ Electrical connection:  
130 mm - 310 mm

• Working conditions

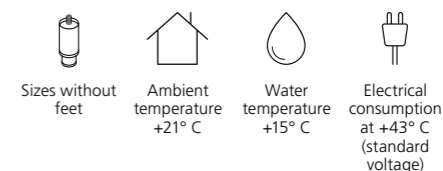
- Location: Indoor

	Min	Max
Ambient temperature	+10° C	+43° C
Water temperature	+3° C	+32° C
Voltage	-10%	+10%
Water inlet pressure	1bar (14 psi)	6bar (84 psi)

• Technical information

Production in 24h	155 kg
Store capacity, up to	55 kg
Cooling system	A - W
Refrigerant	R404A
Standard voltage	220-240 V ~ 50 Hz
Electrical consumption	650 W
Fuse	10 A
Water consumption	A: 1 l/kg W: 6,4 l/kg
Sizes (L-P-H mm)	741 - 678 - 1015
Sizes with pack (L-P-H mm)	800 - 750 - 1150
Net weight	87kg
Gross weight	98 kg
Finish	AISI 304 stainless steel, scotch brite

All the technical information must be considered at the following conditions:



Models and specifications are subject to change without notice  
Rev. 00 - Issued September 2016



SLF 500



BACK TO ICE MAKERS LIST

PREVIOUS

NEXT

Self-contained ice maker up to 320 kg – Granular system

• Position n°



• Application fields

Hotel	●●●●●●●●	Fish market	●●●●●●●●
Restaurant	●●●●●●●●	Supermarket	●●●●●●●●
Fast food	●●●●●●●●	SPA	●●●●●●●●
Bar	●●●●●●●●	Medical	●●●●●●●●
Disco	●●●●●●●●	Industry	●●●●●●●●

• Features & Plus

- Granular ice
- Low consumption (1 liter water / 1 kg ice) - aircooled vers.
- Electromechanical functioning
- External structure AISI 304 Scotch Brite
- Evaporator AISI 304, auger AISI 303 made
- Air Cooling and Water Cooling systems
- Standard and special voltages
- Insulated retractable door
- ON-OFF switch
- Dust proof water basin
- Automatic water charge
- Easy cleaning thanks to rounded surfaces
- Removable side panels
- Internal bin insulation HCFC free
- Model in Tropical Class + 43 ° C
- Conformity to RoHS directive
- Adjustable Stainless Steel feet

• Prod. 24h

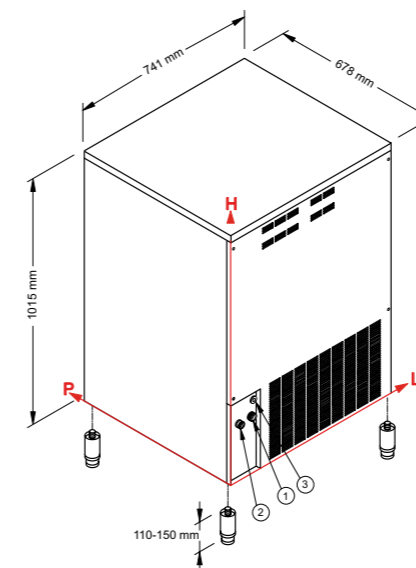
Air temp.	Water temp.	Prod. 24h kg
10° C	10° C	320
21° C	15° C	280
32° C	21° C	233

• Certifications available for this model



2 Years Warranty

subject to limitations



• Connections

All measures are referred to the rear bottom-left corner (L-H-Ø)

- ① Water inlet: 120 mm - 230 mm - 3/4"
- ② Water outlet: 65 mm - 245 mm - 24 mm
- ③ Electrical connection: 130 mm - 310 mm

• Working conditions

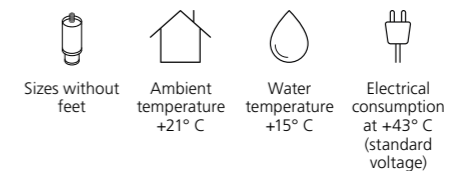
- Location: Indoor

	Min	Max
Ambient temperature	+10° C	+43° C
Water temperature	+3° C	+32° C
Voltage	-10%	+10%
Water inlet pressure	1bar (14 psi)	6bar (84 psi)

• Technical information

Production in 24h	280 kg
Store capacity, up to	55 kg
Cooling system	A - W
Refrigerant	R404A
Standard voltage	220-240 V ~ 50 Hz
Electrical consumption	1050 W
Fuse	10 A
Water consumption	A: 1 l/kg W: 5,2 l/kg
Sizes (L-P-H mm)	741 - 678 - 1015
Sizes with pack (L-P-H mm)	800 - 750 - 1150
Net weight	106 kg
Gross weight	117 kg
Finish	AISI 304 stainless steel, scotch brite

All the technical information must be considered at the following conditions:



Models and specifications are subject to change without notice  
Rev. 00 - Issued September 2016



**GM 360**



Modular ice maker up to 165 kg – Granular system

• Position n°



• Application fields

Hotel	●●●●●●●●	Fish market	●●●●●●●●
Restaurant	●●●●●●●●	Supermarket	●●●●●●●●
Fast food	●●●●●●●●	SPA	●●●●●●●●
Bar	●●●●●●●●	Medical	●●●●●●●●
Disco	●●●●●●●●	Industry	●●●●●●●●

• Features & Plus

- Granular ice
- 1 m<sup>3</sup> = 550 kg of ice
- Low consumption (1 liter water / 1 kg ice) - aircooled vers.
- Electromechanical functioning
- External structure AISI 304 Scotch Brite
- Monoblock Stainless steel frame
- Evaporator AISI 304, auger AISI 303 made
- Air Cooling and Water Cooling systems
- Standard and special voltages
- ON-OFF switch
- Dust proof water basin
- Easy cleaning thanks to rounded surfaces
- Removable and cleanable air filter
- Conformity to RoHS directive
- Automatic water charge
- Model in Tropical Class + 43 ° C

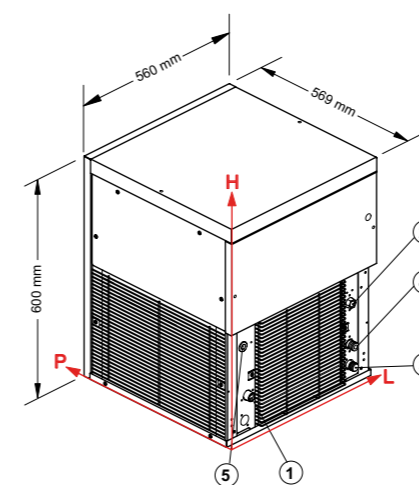
• Usable Bins

- Bin PE530
- Bin T250
- Bin T420
- RB 140

• Prod. 24h

Air temp.	Water temp.	Prod. 24h kg
10° C	10° C	165
21° C	15° C	160
32° C	21° C	135

• Certifications available for this model



• Connections

All measures are referred to the rear bottom-left corner (L-H-Ø)

- ① Water inlet: 85,5 mm - 130 mm - 3/4"
- ② Condenser water inlet: 479,5 mm - 260 mm - 3/4"
- ③ Water outlet: 479,5 mm - 65 mm - 24 mm
- ④ Condenser water outlet: 479,5 mm - 130 mm - 24 mm
- ⑤ Electrical connections: 67,5 mm - 290 mm

• Working conditions

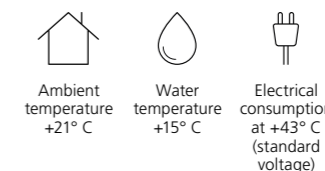
- Location: Indoor

	Min	Max
Ambient temperature	+10° C	+43° C
Water temperature	+3° C	+32° C
Voltage	-10%	+10%
Water inlet pressure	1bar (14 psi)	6bar (84 psi)

• Technical information

Production in 24h	160 kg
Cooling system	A - W
Refrigerant	R404A
Standard voltage	220-240 V ~ 50 Hz
Electrical consumption	650 W
Fuse	10 A
Water consumption	A: 1 l/kg W: 5,5 l/kg
Sizes (L-P-H mm)	560 - 569 - 600
Sizes with pack (L-P-H mm)	645 - 645 - 810
Net weight	63 kg
Gross weight	74 kg
Finish	AISI 304 stainless steel, scotch brite

All the technical information must be considered at the following conditions:



② ④ Only for water cooling systems



**GM 600**



Modular ice maker up to 320 kg – Granular system

• Position n°



• Application fields

Hotel	●●●●●●●●	Fish market	●●●●●●●●
Restaurant	●●●●●●●●	Supermarket	●●●●●●●●
Fast food	●●●●●●●●	SPA	●●●●●●●●
Bar	●●●●●●●●	Medical	●●●●●●●●
Disco	●●●●●●●●	Industry	●●●●●●●●

• Features & Plus

- Granular ice
- 1 m<sup>3</sup> = 550 kg of ice
- Low consumption (1 liter water / 1 kg ice) - aircooled vers.
- Electromechanical functioning
- External structure AISI 304 Scotch Brite
- Monoblock Stainless steel frame
- Evaporator AISI 304, auger AISI 303 made
- Air Cooling and Water Cooling systems
- Standard and special voltages
- ON-OFF switch
- Dust proof water basin
- Easy cleaning thanks to rounded surfaces
- Removable and cleanable air filter
- Rotation sensor directly on evaporator
- Conformity to RoHS directive
- Automatic water charge
- Model in Tropical Class + 43 ° C

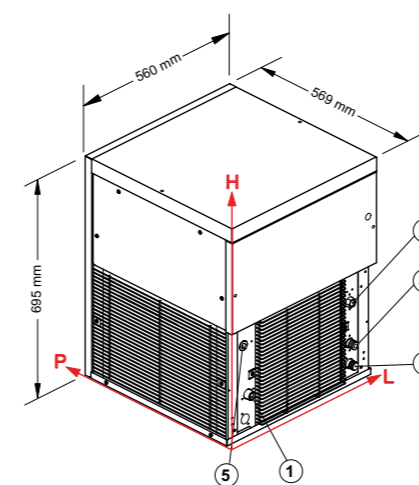
• Usable Bins

- Bin PE530
- Bin T250
- Bin T420
- Bin T830
- RB 140
- RB 280

• Prod. 24h

Air temp.	Water temp.	Prod. 24h kg
10° C	10° C	320
21° C	15° C	280
32° C	21° C	233

• Certifications available for this model



• Connections

All measures are referred to the rear bottom-left corner (L-H-Ø)

- ① Water inlet: 85,5 mm - 130 mm - 3/4"
- ② Condenser water inlet: 479,5 mm - 260 mm - 3/4"
- ③ Water outlet: 479,5 mm - 65 mm - 24 mm
- ④ Condenser water outlet: 479,5 mm - 130 mm - 24 mm
- ⑤ Electrical connections: 67,5 mm - 290 mm

• Working conditions

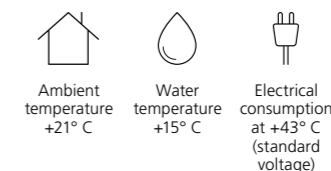
- Location: Indoor

	Min	Max
Ambient temperature	+10° C	+43° C
Water temperature	+3° C	+32° C
Voltage	-10%	+10%
Water inlet pressure	1bar (14 psi)	6bar (84 psi)

• Technical information

Production in 24h	280 kg
Cooling system	A - W
Refrigerant	R404A
Standard voltage	220-240 V ~ 50 Hz
Electrical consumption	1050 W
Fuse	10 A
Water consumption	A: 1 l/kg W: 5,2 l/kg
Sizes (L-P-H mm)	560 - 569 - 695
Sizes with pack (L-P-H mm)	645 - 645 - 910
Net weight	83 kg
Gross weight	93 kg
Finish	AISI 304 stainless steel, scotch brite

All the technical information must be considered at the following conditions:



② ④ Only for water cooling systems



**GM 1200**



Modular ice maker up to 590 kg – Granular system

• Position n°



• Application fields

Hotel	●●●●●●●●	Fish market	●●●●●●●●
Restaurant	●●●●●●●●	Supermarket	●●●●●●●●
Fast food	●●●●●●●●	SPA	●●●●●●●●
Bar	●●●●●●●●	Medical	●●●●●●●●
Disco	●●●●●●●●	Industry	●●●●●●●●

• Features & Plus

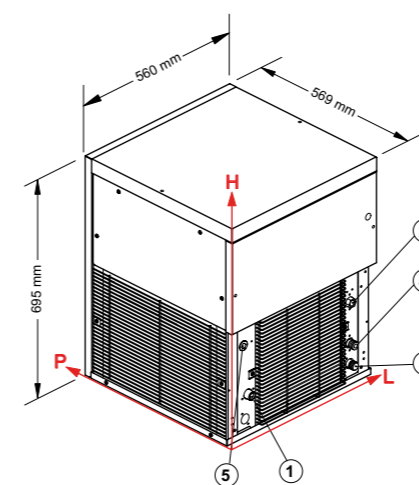
- Granular ice
- 1 m<sup>3</sup> = 550 kg of ice
- Low consumption (1 liter water / 1 kg ice) - aircooled vers.
- Electromechanical functioning
- External structure AISI 304 Scotch Brite
- Monoblock Stainless steel frame
- Evaporator AISI 304, auger AISI 303 made
- Air Cooling and Water Cooling systems
- Standard and special voltages
- ON-OFF switch
- Dust proof water basin
- Easy cleaning thanks to rounded surfaces
- Removable and cleanable air filter
- Rotation sensor directly on evaporator
- Conformity to RoHS directive
- Automatic water charge
- Model in Tropical Class + 43 ° C

• Usable Bins

- Bin PE530
- Bin T250
- Bin T420
- Bin T830
- Bin 1200DD
- RB 140
- RB 280
- DRB 1100
- DRB 2500

• Prod. 24h

Air temp.	Water temp.	Prod. 24h kg
10° C	10° C	590
21° C	15° C	510
32° C	21° C	411



• Connections

All measures are referred to the rear bottom-left corner (L-H-Ø)

- ① Water inlet:  
85,5 mm - 130 mm - 3/4"
- ② Condenser water inlet:  
479,5 mm - 260 mm - 3/4"
- ③ Water outlet:  
479,5 mm - 65 mm - 24 mm
- ④ Condenser water outlet:  
479,5 mm - 130 mm - 24 mm
- ⑤ Electrical connections:  
67,5 mm - 290 mm

• Working conditions

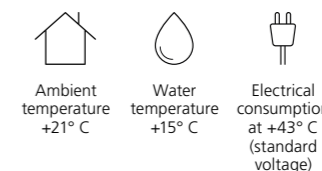
- Location: Indoor

	Min	Max
Ambient temperature	+10° C	+43° C
Water temperature	+3° C	+32° C
Voltage	-10%	+10%
Water inlet pressure	1bar (14 psi)	6bar (84 psi)

• Technical information

Production in 24h	510 kg
Cooling system	A - W
Refrigerant	R404A
Standard voltage	220-240 V ~ 50 Hz
Electrical consumption	1700 W
Fuse	16 A
Water consumption	A: 1 l/kg W: 5,8 l/kg
Sizes (L-P-H mm)	560 - 569 - 695
Sizes with pack (L-P-H mm)	645 - 645 - 910
Net weight	102 kg
Gross weight	113 kg
Finish	AISI 304 stainless steel, scotch brite

All the technical information must be considered at the following conditions:



Models and specifications are subject to change without notice  
Rev. 00 - Issued September 2016

**2 Years Warranty**  
subject to limitations

• Certifications available for this model



② ④ Only for water cooling systems





**GM 2000**



BACK TO ICE MAKERS LIST

PREVIOUS

NEXT

Modular ice maker up to 1119 kg – Granular system

• Position n°



• Application fields

Hotel	●●●●●●●●	Fish market	●●●●●●●●
Restaurant	●●●●●●●●	Supermarket	●●●●●●●●
Fast food	●●●●●●●●	SPA	●●●●●●●●
Bar	●●●●●●●●	Medical	●●●●●●●●
Disco	●●●●●●●●	Industry	●●●●●●●●

• Features & Plus

- Granular ice
- 1 m<sup>3</sup> = 550 kg of ice
- Low consumption (1 liter water / 1 kg ice) - aircooled vers.
- Electromechanical functioning
- External structure AISI 304 Scotch Brite
- Monoblock Stainless steel frame
- Evaporator AISI 304, auger AISI 303 made
- Air Cooling and Water Cooling systems
- Standard and special voltages
- ON-OFF switch
- Dust proof water basin
- Easy cleaning thanks to rounded surfaces
- Removable and cleanable air filter
- Rotation sensor directly on evaporator
- Conformity to RoHS directive
- Automatic water charge
- Model in Tropical Class + 43 °C

• Usable Bins

- Bin 1200DD
- DRB 1100
- DRB 2500

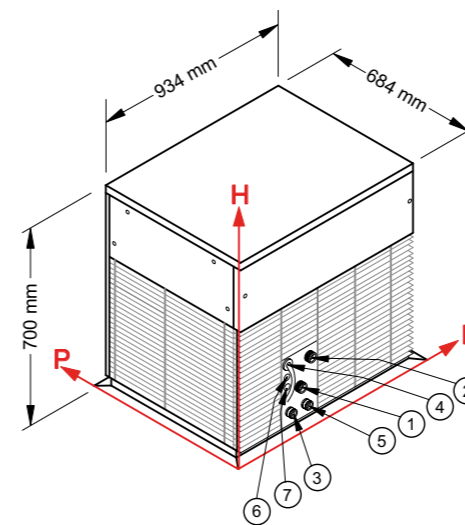
• Prod. 24h

Air temp.	Water temp.	Prod. 24h kg
10° C	10° C	1119
21° C	15° C	1000
32° C	21° C	800

• Certifications available for this model



**2 Years Warranty**  
subject to limitations



• Connections

All measures are referred to the rear bottom-left corner (L-H-Ø)

- ① Water inlet:  
357 mm - 115 mm - 3/4"
- ② Condenser water inlet:  
385 mm - 241 mm - 3/4"
- ③ Water outlet:  
336 mm - 60 mm - 24 mm
- ④ Electrical connections:  
322 mm - 257 mm
- ⑤ Condenser water outlet:  
381 mm - 60 mm - 24 mm
- ⑥ Connection to remote electric panel:  
322 mm - 216 mm
- ⑦ Connection to DRB 1100:  
322 mm - 181 mm

• Working conditions

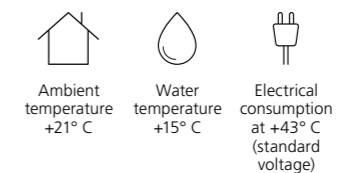
- Location: Indoor

	Min	Max
Ambient temperature	+10° C	+43° C
Water temperature	+3° C	+32° C
Voltage	-10%	+10%
Water inlet pressure	1bar (14 psi)	6bar (84 psi)

• Technical information

Production in 24h	1000 kg
Cooling system	A - W
Refrigerant	R404A
Standard voltage	400-415 V ~ 3N 50 Hz
Electrical consumption	3200 W
Fuse	16 A
Water consumption	A: 1 l/kg W: 5,3 l/kg
Sizes (L-P-H mm)	934 - 684 - 700
Sizes with pack (L-P-H mm)	995 - 765 - 890
Net weight	167 kg
Gross weight	199 kg
Finish	AISI 304 stainless steel, scotch brite

All the technical information must be considered at the following conditions:



②⑤ Only for water cooling systems

Models and specifications are subject to change without notice  
Rev. 00 - Issued September 2016



**GM 1200 Split**



Modular ice maker up to 510 kg – Granular system

• Position n°



• Application fields

Hotel	●●●●●●●●	Fish market	●●●●●●●●
Restaurant	●●●●●●●●	Supermarket	●●●●●●●●
Fast food	●●●●●●●●	SPA	●●●●●●●●
Bar	●●●●●●●●	Medical	●●●●●●●●
Disco	●●●●●●●●	Industry	●●●●●●●●

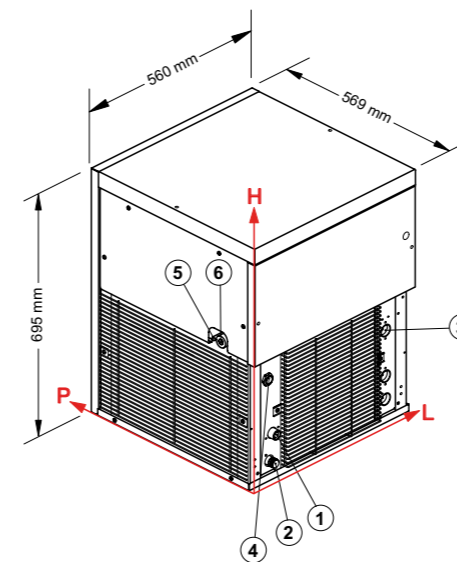
• Features & Plus

- Granular ice
- 1 m<sup>3</sup> = 550 kg of ice
- Low consumption (1 liter water / 1 kg ice)
- External structure AISI 304 Scotch Brite
- Monoblock Stainless steel frame
- Evaporator AISI 304, auger AISI 303 made
- Standard and special voltages
- ON-OFF switch
- Dust proof water basin
- Rotation sensor directly on evaporator
- Conformity to RoHS directive
- Automatic water charge
- Model in Tropical Class + 43 ° C

• Usable Bins

- Bin PE530
- Bin T250
- Bin T420
- Bin T830
- Bin 1200DD
- RB 140
- RB 280
- DRB 1100
- DRB 2500

• Certifications available for this model



• Connections

All measures are referred to the rear bottom-left corner (L-H-Ø)

- ① Water inlet: 85,5 mm - 130 mm - 3/4"
- ② Water Outlet: 75,5 mm - 55 mm - 24 mm
- ③ Remote connection: 479,5 mm - 260 mm
- ④ Electrical connection: 67,5 mm - 290 mm
- ⑤ Refrigerant feeding pipe
- ⑥ Outlet pipe of gaseous refrigerant

• Working conditions

- Location: Indoor

	Min	Max
Ambient temperature	+10° C	+43° C
Water temperature	+3° C	+32° C
Voltage	-10%	+10%
Water inlet pressure	1bar (14 psi)	6bar (84 psi)

• Technical information

Production in 24h	510 kg
Refrigerant	R404A - R507
Refrigerant capacity	2300 W (evap. temp. -18° C)
Standard voltage	220-240 V ~ 50 Hz
Electrical consumption	175 W
Sizes (L-P-H mm)	560x569x695
Sizes with pack (L-P-H mm)	645x645x910
Net weight	67 kg
Gross weight	77 kg
Finish	AISI 304 stainless steel, scotch brite

All the technical information must be considered at the following conditions:



Refrigerant capacity  
2300 W  
(evap. temp. -18° C)



Water temperature  
+15° C



Electrical consumption  
at +43° C  
(standard voltage)



**GM 2000 Split**



Modular ice maker up to 1000 kg – Granular system

• Position n°



• Application fields

Hotel	●●●●●●●●	Fish market	●●●●●●●●
Restaurant	●●●●●●●●	Supermarket	●●●●●●●●
Fast food	●●●●●●●●	SPA	●●●●●●●●
Bar	●●●●●●●●	Medical	●●●●●●●●
Disco	●●●●●●●●	Industry	●●●●●●●●

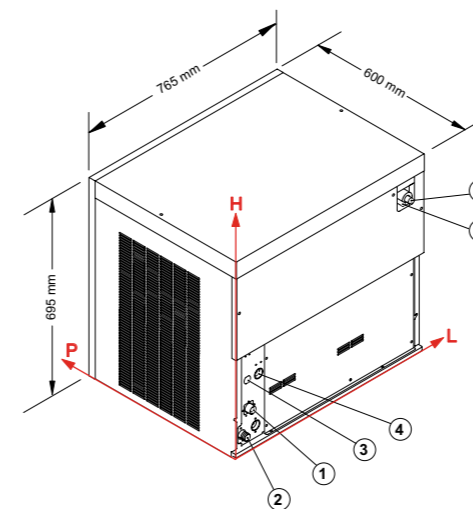
• Features & Plus

- Granular ice
- 1 m<sup>3</sup> = 550 kg of ice
- Low consumption (1 liter water / 1 kg ice)
- External structure AISI 304 Scotch Brite
- Monoblock Stainless steel frame
- Evaporator AISI 304, auger AISI 303 made
- Standard and special voltages
- ON-OFF switch
- Dust proof water basin
- Rotation sensor directly on evaporator
- Conformity to RoHS directive
- Automatic water charge
- Model in Tropical Class + 43 °C

• Usable Bins

- Bin 1200DD
- DRB 1100
- DRB 2500

• Certifications available for this model



• Connections

All measures are referred to the rear bottom-left corner (L-H-Ø)

- ① Water inlet: 71 mm - 140 mm - 3/4"
- ② Water Outlet: 44 mm - 60 mm - 24 mm
- ③ Remote connection: 111 mm - 240 mm
- ④ Electrical connection: 67 mm - 240 mm
- ⑤ Refrigerant feeding pipe
- ⑥ Outlet pipe of gaseous refrigerant

• Working conditions

- Location: Indoor

	Min	Max
Ambient temperature	+10° C	+43° C
Water temperature	+3° C	+32° C
Voltage	-10%	+10%
Water inlet pressure	1bar (14 psi)	6bar (84 psi)

• Technical information

Production in 24h	1000 kg
Refrigerant	R404A - R507
Refrigerant capacity	4600 W (evap. temp. -18° C)
Standard voltage	220-240 V ~ 50 Hz
Electrical consumption	350 W
Sizes (L-P-H mm)	765 - 600 - 695
Sizes with pack (L-P-H mm)	860 - 690 - 890
Net weight	118 kg
Gross weight	132 kg
Finish	AISI 304 stainless steel, scotch brite

All the technical information must be considered at the following conditions:

Refrigerant capacity 4600 W (evap. temp. -18° C)	Water temperature +15° C	Electrical consumption at +43° C (standard voltage)

Models and specifications are subject to change without notice  
Rev. 00 - Issued September 2016



**GM 1500**  
Split CO<sub>2</sub>



Modular ice maker up to 720 kg – Granular system

• Position n°



• Application fields

Hotel	●●●●●●●●	Fish market	●●●●●●●●
Restaurant	●●●●●●●●	Supermarket	●●●●●●●●
Fast food	●●●●●●●●	SPA	●●●●●●●●
Bar	●●●●●●●●	Medical	●●●●●●●●
Disco	●●●●●●●●	Industry	●●●●●●●●

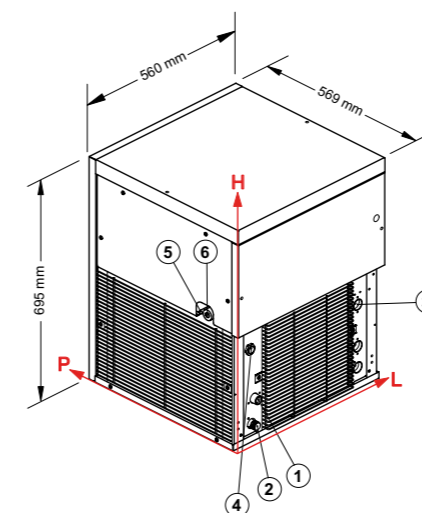
• Features & Plus

- Granular ice
- 1 m<sup>3</sup> = 550 kg of ice
- Low consumption (1 liter water / 1 kg ice)
- External structure AISI 304 Scotch Brite
- Monoblock Stainless steel frame
- Evaporator AISI 304, auger AISI 303 made
- Standard and special voltages
- ON-OFF switch
- Dust proof water basin
- Rotation sensor directly on evaporator
- Conformity to RoHS directive
- Automatic water charge
- Model in Tropical Class + 43 ° C
- Pressure limiting valve, PS up to 40 bar

• Usable Bins

- Bin PE530
- Bin T250
- Bin T420
- Bin T830
- Bin 1200DD
- RB 140
- RB 280
- DRB 1100
- DRB 2500

• Certifications available for this model



• Connections

All measures are referred to the rear bottom-left corner (L-H-Ø)

- ① Water inlet:  
85,5 mm - 130 mm - 3/4"
- ② Water Outlet:  
75,5 mm - 55 mm - 24 mm
- ③ Remote connection:  
479,5 mm - 260 mm
- ④ Electrical connection:  
67,5 mm - 290 mm
- ⑤ Refrigerant feeding pipe
- ⑥ Outlet pipe of gaseous refrigerant

• Working conditions

- Location: Indoor

	Min	Max
Ambient temperature	+10° C	+43° C
Water temperature	+3° C	+32° C
Voltage	-10%	+10%
Water inlet pressure	1bar (14 psi)	6bar (84 psi)

• Technical information

Production in 24h	720 kg
Refrigerant	CO <sub>2</sub> (R744)
Refrigerant capacity	2300 W (evap. temp. -18° C)
PS suction side	580 PSI - 40bar
Standard voltage	220-240 V ~ 50 Hz
Electrical consumption	175 W
Sizes (L-P-H mm)	560 - 569 - 695
Sizes with pack (L-P-H mm)	645 - 645 - 910
Net weight	67 kg
Gross weight	77 kg
Finish	AISI 304 stainless steel, scotch brite

All the technical information must be considered at the following conditions:



Refrigerant capacity  
2300 W  
(evap. temp. -18° C)



Water temperature  
+15° C



Electrical consumption  
at +43° C  
(standard voltage)

Models and specifications are subject to change without notice  
Rev. 00 - Issued September 2016

**2 Years Warranty**

subject to limitations



**GM 3100**  
Split CO<sub>2</sub>



Modular ice maker up to 1400 kg – Granular system

• Position n°



• Application fields

Hotel	●●●●●●●●	Fish market	●●●●●●●●
Restaurant	●●●●●●●●	Supermarket	●●●●●●●●
Fast food	●●●●●●●●	SPA	●●●●●●●●
Bar	●●●●●●●●	Medical	●●●●●●●●
Disco	●●●●●●●●	Industry	●●●●●●●●

• Features & Plus

- Granular ice
- 1 m<sup>3</sup> = 550 kg of ice
- Low consumption (1 liter water / 1 kg ice)
- External structure AISI 304 Scotch Brite
- Monoblock Stainless steel frame
- Evaporator AISI 304, auger AISI 303 made
- Standard and special voltages
- ON-OFF switch
- Dust proof water basin
- Rotation sensor directly on evaporator
- Conformity to RoHS directive
- Automatic water charge
- Model in Tropical Class + 43 ° C
- Pressure limiting valve, PS up to 40 bar

• Usable Bins

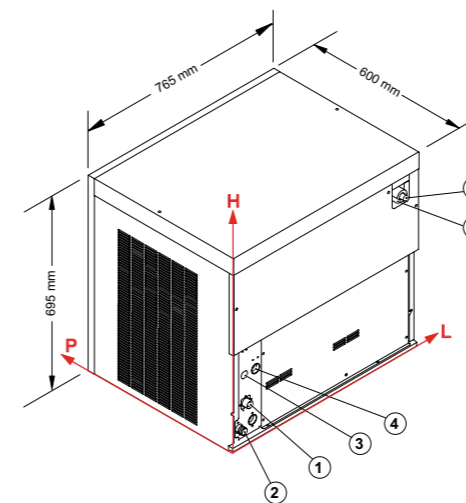
- Bin 1200DD
- DRB 1100
- DRB 2500

• Certifications available for this model



**2 Years Warranty**

subject to limitations



• Connections

All measures are referred to the rear bottom-left corner (L-H-Ø)

- ① Water inlet:  
71 mm - 140 mm - 3/4"
- ② Water Outlet:  
44 mm - 60 mm - 24 mm
- ③ Remote connection:  
111 mm - 240 mm
- ④ Electrical connection:  
67 mm - 240 mm
- ⑤ Refrigerant feeding pipe
- ⑥ Outlet pipe of gaseous refrigerant

• Working conditions

- Location: Indoor

	Min	Max
Ambient temperature	+10° C	+43° C
Water temperature	+3° C	+32° C
Voltage	-10%	+10%
Water inlet pressure	1bar (14 psi)	6bar (84 psi)

• Technical information

Production in 24h	1400 kg
Refrigerant	CO <sub>2</sub> (R744)
Refrigerant capacity	4600 W (evap. temp. -18° C)
PS suction side	580 PSI - 40bar
Standard voltage	220-240 V ~ 50 Hz
Electrical consumption	350 W
Sizes (L-P-H mm)	765 - 600 - 695
Sizes with pack (L-P-H mm)	860 - 690 - 890
Net weight	118 kg
Gross weight	132 kg
Finish	AISI 304 stainless steel, scotch brite

All the technical information must be considered at the following conditions:



Refrigerant capacity  
4600 W  
(evap. temp. -18° C)



Water temperature  
+15° C



Electrical consumption  
at +43° C  
(standard voltage)



**SM 500**

Modular ice maker up to 300 kg – Scale system

• Position n°



• Application fields

Hotel	●●●●●●●●	Fish market	●●●●●●●●
Restaurant	●●●●●●●●	Supermarket	●●●●●●●●
Fast food	●●●●●●●●	SPA	●●●●●●●●
Bar	●●●●●●●●	Medical	●●●●●●●●
Disco	●●●●●●●●	Industry	●●●●●●●●

• Features & Plus

- Subcooled flakes (from -5°C to -10°C)
- Low consumption (1 liter water / 1 kg ice) - aircooled vers.
- Electromechanical functioning
- External structure AISI 304 Scotch Brite
- Stainless steel frame
- Evaporator anticorrosion alloy made, with rotating knife
- Air Cooling and Water Cooling systems
- Standard and special voltages
- 1 m³ = 430 kg of ice
- ABS plastic components, FDA approved
- Easy cleaning thanks to rounded surfaces
- Cleanable antiscaling filter
- Conformity to RoHS directive
- Automatic water charge
- Model in Tropical Class + 43 °C

• Usable Bins

- Bin T420
- Bin T830

• Prod. 24h

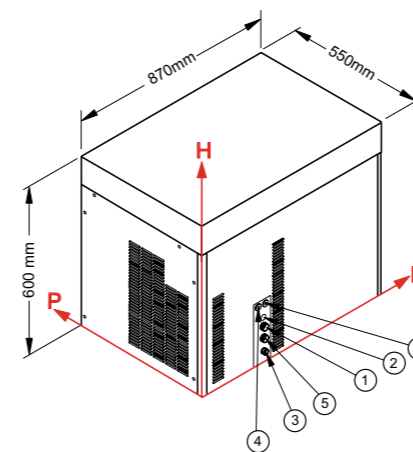
Air temp.	Water temp.	Prod. 24h kg
10° C	10° C	300
21° C	15° C	250
32° C	21° C	200

• Certifications available for this model



**2 Years Warranty**

subject to limitations



• Connections

All measures are referred to the rear bottom-left corner (L-H-Ø)

- ① Water inlet: 279 mm - 140 mm - 3/4"
- ② Condenser water inlet: 279 mm - 195 mm - 3/4"
- ③ Water outlet: 279 mm - 45 mm - 24 mm
- ④ Electrical connection: 258 mm - 247 mm
- ⑤ Condenser water outlet: 279 mm - 90 mm - 24 mm
- ⑥ Remote connection: 298 mm - 247 mm

• Working conditions

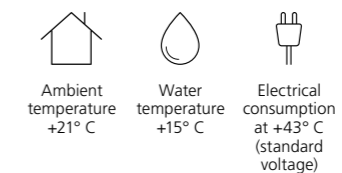
- Location: Indoor

	Min	Max
Ambient temperature	+10° C	+43° C
Water temperature	+3° C	+32° C
Voltage	-10%	+10%
Water inlet pressure	1bar (14 psi)	6bar (84 psi)

• Technical information

Production in 24h	250 kg
Cooling system	A - W
Refrigerant	R404A
Standard voltage	220-240 V ~ 50 Hz
Electrical consumption	1700 W
Fuse	16 A
Water consumption	A: 1 l/kg W: 7,5 l/kg
Sizes (L-P-H mm)	870 - 550 - 600
Sizes with pack (L-P-H mm)	955 - 620 - 770
Net weight	100 kg
Gross weight	120 kg
Finish	AISI 304 stainless steel, scotch brite

All the technical information must be considered at the following conditions:



②⑤ Only for water cooling systems

Models and specifications are subject to change without notice  
Rev. 00 - Issued September 2016



**SM 750**

Modular ice maker up to 446 kg – Scale system

• Position n°



• Application fields

Hotel	●●●●●●●●	Fish market	●●●●●●●●
Restaurant	●●●●●●●●	Supermarket	●●●●●●●●
Fast food	●●●●●●●●	SPA	●●●●●●●●
Bar	●●●●●●●●	Medical	●●●●●●●●
Disco	●●●●●●●●	Industry	●●●●●●●●

• Features & Plus

- Subcooled flakes (from -5°C to -10°C)
- Low consumption (1 liter water / 1 kg ice) - aircooled vers.
- Electromechanical functioning
- External structure AISI 304 Scotch Brite
- Stainless steel frame
- Evaporator AISI 304 Stainless Steel made, with rotating knife
- Air Cooling and Water Cooling systems
- Standard and special voltages
- 1 m<sup>3</sup> = 430 kg of ice
- ABS plastic components, FDA approved
- Easy cleaning thanks to rounded surfaces
- Cleanable antiscaling filter
- Conformity to RoHS directive
- Automatic water charge
- Model in Tropical Class + 43 °C

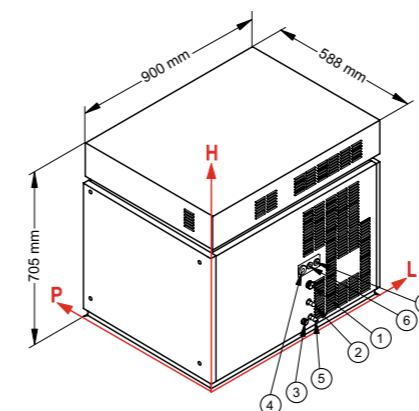
• Usable Bins

- Bin T830
- Bin 1200DD
- RB 280

• Prod. 24h

Air temp.	Water temp.	Prod. 24h kg
10° C	10° C	446
21° C	15° C	400
32° C	21° C	360

• Certifications available for this model



• Connections

All measures are referred to the rear bottom-left corner (L-H-Ø)

- ① Water inlet: 463 mm - 187 mm - 3/4"
- ② Condenser water inlet: 463 mm - 120 mm - 12 mm
- ③ Water outlet: 428 mm - 60 mm - 24 mm
- ④ Electrical connection: 434 mm - 257 mm
- ⑤ Condenser water outlet: 472 mm - 60 mm - 12 mm
- ⑥ Remote connection: 473 mm - 257 mm
- ⑦ Connection to DRB 1100: 510 mm - 257 mm

②⑤ Only for water cooling systems

• Working conditions

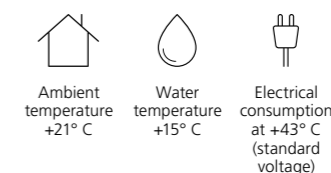
- Location: Indoor

	Min	Max
Ambient temperature	+10° C	+43° C
Water temperature	+3° C	+32° C
Voltage	-10%	+10%
Water inlet pressure	1bar (14 psi)	6bar (84 psi)

• Technical information

Production in 24h	400 kg
Cooling system	A - W
Refrigerant	R404A
Standard voltage	220-240 V ~ 50 Hz
Electrical consumption	2100 W
Fuse	16 A
Water consumption	A: 1 l/kg W: 7,5 l/kg
Sizes (L-P-H mm)	900 - 588 - 705
Sizes with pack (L-P-H mm)	965 - 655 - 880
Net weight	137 kg
Gross weight	152 kg
Finish	AISI 304 stainless steel, scotch brite

All the technical information must be considered at the following conditions:



Models and specifications are subject to change without notice  
Rev. 00 - Issued September 2016



**SM 1300**

Modular ice maker up to 670 kg – Scale system

• Position n°



• Application fields

Hotel	●●●●●●●●	Fish market	●●●●●●●●
Restaurant	●●●●●●●●	Supermarket	●●●●●●●●
Fast food	●●●●●●●●	SPA	●●●●●●●●
Bar	●●●●●●●●	Medical	●●●●●●●●
Disco	●●●●●●●●	Industry	●●●●●●●●

• Features & Plus

- Subcooled flakes (from -5°C to -10°C)
- Low consumption (1 liter water / 1 kg ice) - aircooled vers.
- Electromechanical functioning
- External structure AISI 304 Scotch Brite
- Stainless steel frame
- Evaporator anticorrosion alloy made, with rotating knife
- Air Cooling and Water Cooling systems
- Standard and special voltages
- 1 m<sup>3</sup> = 430 kg of ice
- ABS plastic components, FDA approved
- Easy cleaning thanks to rounded surfaces
- Cleanable antiscaling filter
- Removable and cleanable air filter
- Conformity to RoHS directive
- Automatic water charge
- Model in Tropical Class + 43 °C

• Usable Bins

- Bin T830
- Bin 1200DD
- RB 280
- DRB 1100
- DRB 2500

• Prod. 24h

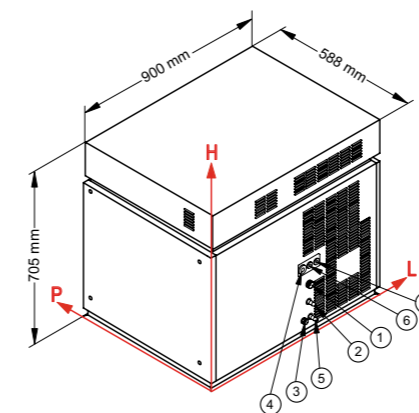
Air temp.	Water temp.	Prod. 24h kg
10° C	10° C	670
21° C	15° C	620
32° C	21° C	520

• Certifications available for this model



**2 Years Warranty**

subject to limitations



• Working conditions

- Location: Indoor

	Min	Max
Ambient temperature	+10° C	+43° C
Water temperature	+3° C	+32° C
Voltage	-10%	+10%
Water inlet pressure	1bar (14 psi)	6bar (84 psi)

• Technical information

Production in 24h	620 kg
Cooling system	A - W
Refrigerant	R404A
Standard voltage	400-415 V ~ 3N 50 Hz
Electrical consumption	3000 W
Fuse	16 A
Water consumption	A: 1 l/kg W: 7,4 l/kg
Sizes (L-P-H mm)	900 - 588 - 705
Sizes with pack (L-P-H mm)	965 - 655 - 880
Net weight	151 kg
Gross weight	166 kg
Finish	AISI 304 stainless steel, scotch brite

• Connections

All measures are referred to the rear bottom-left corner (L-H-Ø)

- ① Water inlet:  
463 mm - 187 mm - 3/4"
- ② Condenser water inlet:  
463 mm - 120 mm - 12 mm
- ③ Water outlet:  
428 mm - 60 mm - 24 mm
- ④ Electrical connection:  
434 mm - 257 mm
- ⑤ Condenser water outlet:  
472 mm - 60 mm - 12 mm
- ⑥ Remote connection:  
473 mm - 257 mm
- ⑦ Connection to DRB 1100:  
510 mm - 257 mm

All the technical information must be considered at the following conditions:

Ambient temperature +21° C	Water temperature +15° C	Electrical consumption at +43° C (standard voltage)

②⑤ Only for water cooling systems

Models and specifications are subject to change without notice  
Rev. 00 - Issued September 2016





**SM 1750**

Modular ice maker up to 915 kg – Scale system

• Position n°



• Application fields

Hotel	●●●●●●●●	Fish market	●●●●●●●●
Restaurant	●●●●●●●●	Supermarket	●●●●●●●●
Fast food	●●●●●●●●	SPA	●●●●●●●●
Bar	●●●●●●●●	Medical	●●●●●●●●
Disco	●●●●●●●●	Industry	●●●●●●●●

• Features & Plus

- Subcooled flakes (from -5°C to -10°C)
- Low consumption (1 liter water / 1 kg ice) - aircooled vers.
- Electromechanical functioning
- External structure AISI 304 Scotch Brite
- Stainless steel frame
- Evaporator AISI 304 Stainless Steel made, with rotating knife
- Air Cooling and Water Cooling systems
- Standard and special voltages
- 1 m<sup>3</sup> = 430 kg of ice
- ABS plastic components, FDA approved
- Easy cleaning thanks to rounded surfaces
- Cleanable antiscaling filter
- Removable and cleanable air filter
- Conformity to RoHS directive
- Automatic water charge
- Model in Tropical Class + 43 °C

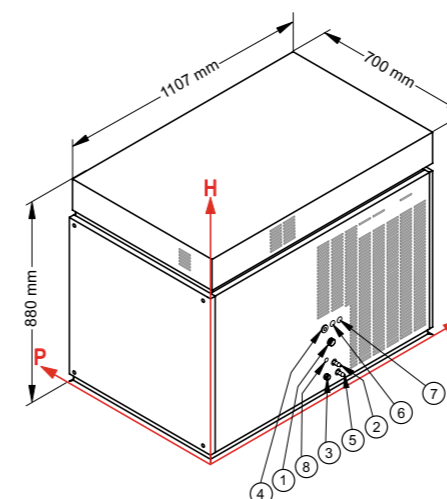
• Usable Bins

- BIN 1200DD
- DRB 1100
- DRB 2500

• Prod. 24h

Air temp.	Water temp.	Prod. 24h kg
10° C	10° C	915
21° C	15° C	900
32° C	21° C	790

• Certifications available for this model



• Connections

All measures are referred to the rear bottom-left corner (L-H-Ø)

- ① Water inlet: 563 mm - 192 mm - 3/4"
- ② Condenser water inlet: 563 mm - 125 mm - 12 mm
- ③ Water outlet: 528 mm - 65 mm - 24 mm
- ④ Electrical connection: 532 mm - 262 mm
- ⑤ Condenser water outlet: 573 mm - 65 mm - 12 mm
- ⑥ Remote connection: 574 mm - 262 mm
- ⑦ Connection to DRB 1100: 608 mm - 262 mm
- ⑧ Connection to saline solution dosing pump: 515 mm - 159 mm

②⑤ Only for water cooling systems

• Working conditions

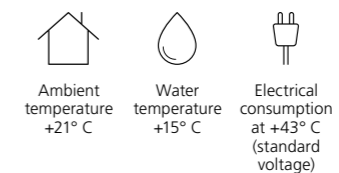
- Location: Indoor

	Min	Max
Ambient temperature	+10° C	+43° C
Water temperature	+3° C	+32° C
Voltage	-10%	+10%
Water inlet pressure	1bar (14 psi)	6bar (84 psi)

• Technical information

Production in 24h	900 kg
Cooling system	A - W
Refrigerant	R404A
Standard voltage	400-415 V ~ 3N 50 Hz
Electrical consumption	4600 W
Fuse	16 A
Water consumption	A: 1 l/kg W: 6,9 l/kg
Sizes (L-P-H mm)	1107 - 700 - 880
Sizes with pack (L-P-H mm)	1210 - 800 - 1095
Net weight	241 kg
Gross weight	262 kg
Finish	AISI 304 stainless steel, scotch brite

All the technical information must be considered at the following conditions:



Models and specifications are subject to change without notice  
Rev. 00 - Issued September 2016



**SM 3300**

Modular ice maker up to 1560 kg – Scale system

• Position n°



• Application fields

Hotel	●●●●●●●●	Fish market	●●●●●●●●
Restaurant	●●●●●●●●	Supermarket	●●●●●●●●
Fast food	●●●●●●●●	SPA	●●●●●●●●
Bar	●●●●●●●●	Medical	●●●●●●●●
Disco	●●●●●●●●	Industry	●●●●●●●●

• Features & Plus

- Subcooled flakes (from -5°C to -10°C)
- Low consumption (1 liter water / 1 kg ice) - aircooled vers.
- Electromechanical functioning
- External structure AISI 304 Scotch Brite
- Stainless steel frame
- Evaporator anticorrosion alloy made, with rotating knife
- Air Cooling and Water Cooling systems
- Standard and special voltages
- 1 m<sup>3</sup> = 430 kg of ice
- ABS plastic components, FDA approved
- Easy cleaning thanks to rounded surfaces
- Cleanable antiscaling filter
- Removable and cleanable air filter
- Conformity to RoHS directive
- Automatic water charge
- Model in Tropical Class + 43 °C

• Usable Bins

- BIN 1200DD
- DRB 1100
- DRB 2500

• Prod. 24h

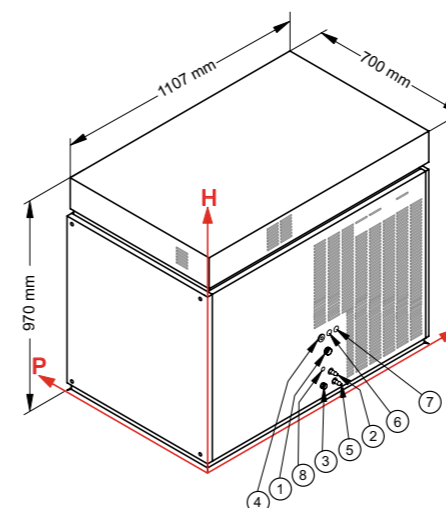
Air temp.	Water temp.	Prod. 24h kg
10° C	10° C	1560
21° C	15° C	1500
32° C	21° C	1200

• Certifications available for this model



**2 Years Warranty**

subject to limitations



• Connections

All measures are referred to the rear bottom-left corner (L-H-Ø)

- 1 Water inlet: 563 mm - 192 mm - 3/4"
- 2 Condenser water inlet: 563 mm - 125 mm - 12 mm
- 3 Water outlet: 528 mm - 65 mm - 24 mm
- 4 Electrical connection: 532 mm - 262 mm
- 5 Condenser water outlet: 573 mm - 65 mm - 12mm
- 6 Remote connection: 574 mm - 262 mm
- 7 Connection to DRB 1100: 608 mm - 262 mm
- 8 Connection to saline solution dosing pump: 515 mm - 159 mm

②⑤ Only for water cooling systems

• Working conditions

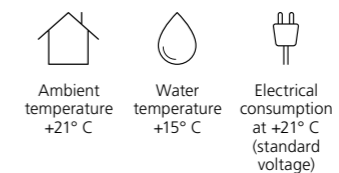
- Location: Indoor

	Min	Max
Ambient temperature	+10° C	+43° C
Water temperature	+3° C	+32° C
Voltage	-10%	+10%
Water inlet pressure	1bar (14 psi)	6bar (84 psi)

• Technical information

Production in 24h	1500 kg
Cooling system	A - W
Refrigerant	R404A
Standard voltage	400-415 V ~ 3N 50 Hz
Electrical consumption	6000 W
Fuse	32 A
Water consumption	A: 1 l/kg W: 7 l/kg
Sizes (L-P-H mm)	1107 - 700 - 970
Sizes with pack (L-P-H mm)	1210 - 800 - 1185
Net weight	306 kg
Gross weight	342 kg
Finish	AISI 304 stainless steel, scotch brite

All the technical information must be considered at the following conditions:



Models and specifications are subject to change without notice  
Rev. 00 - Issued September 2016



**SM 4500**

Modular ice maker up to 2450 kg – Scale system

• Position n°



• Application fields

Hotel	●●●●●●●●	Fish market	●●●●●●●●
Restaurant	●●●●●●●●	Supermarket	●●●●●●●●
Fast food	●●●●●●●●	SPA	●●●●●●●●
Bar	●●●●●●●●	Medical	●●●●●●●●
Disco	●●●●●●●●	Industry	●●●●●●●●

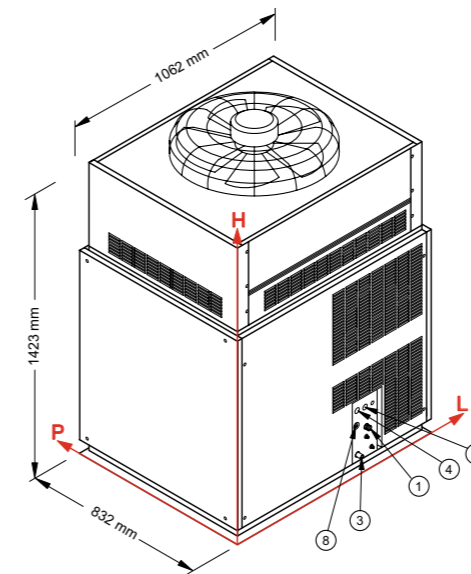
• Features & Plus

- Subcooled flakes (from -5°C to -10°C)
- Low consumption (1 liter water / 1 kg ice)
- Electromechanical functioning
- External structure AISI 304 Scotch Brite
- Stainless steel frame
- Evaporator AISI 304 Stainless Steel made, with rotating knife
- Air Cooling and Water Cooling systems
- Standard and special voltages
- 1 m³ = 430 kg of ice
- ABS plastic components, FDA approved
- Easy cleaning thanks to rounded surfaces
- Cleanable antiscaling filter
- Removable and cleanable air filter
- Conformity to RoHS directive
- Automatic water charge
- Model in Tropical Class + 43 °C

• Prod. 24h

Air temp.	Water temp.	Prod. 24h kg
10° C	10° C	2450
21° C	15° C	2300
32° C	21° C	2034

• Certifications available for this model



• Connections

All measures are referred to the rear bottom-left corner (L-H-Ø)

- ① Water inlet: 684 mm - 192 mm - 3/4"
- ③ Water outlet: 659 mm - 65 mm - 24 mm
- ④ Electrical connection: 651 mm - 271 mm
- ⑥ Remote connection: 693 mm - 271 mm
- ⑧ Connection to saline solution dosing pump: 640 mm - 232 mm

• Working conditions

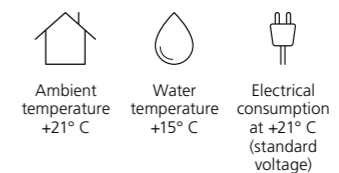
- Location: Indoor

	Min	Max
Ambient temperature	+10° C	+43° C
Water temperature	+3° C	+32° C
Voltage	-10%	+10%
Water inlet pressure	1bar (14 psi)	6bar (84 psi)

• Technical information

Production in 24h	2300 kg
Cooling system	A
Refrigerant	R404A
Standard voltage	400-415 V ~ 3N 50 Hz
Electrical consumption	7000 W
Fuse	32 A
Water consumption	1 l/kg
Sizes (L-P-H mm)	1062 - 832 - 1423
Sizes with pack (L-P-H mm)	1150 - 960 - 1700
Net weight	520 kg
Gross weight	570 kg
Finish	AISI 304 stainless steel, scotch brite

All the technical information must be considered at the following conditions:



Models and specifications are subject to change without notice  
Rev. 00 - Issued September 2016

**2 Years Warranty**  
subject to limitations



**SPLIT 750**

Modular ice maker up to 400 kg – Scale system

• Position n°



• Application fields

Hotel	●●●●●●●●	Fish market	●●●●●●●●
Restaurant	●●●●●●●●	Supermarket	●●●●●●●●
Fast food	●●●●●●●●	SPA	●●●●●●●●
Bar	●●●●●●●●	Medical	●●●●●●●●
Disco	●●●●●●●●	Industry	●●●●●●●●

• Features & Plus

- Subcooled flakes (from -5°C to -10°C)
- Low consumption (1 liter water / 1 kg ice)
- AISI 304 SS Scotch Brite finish
- Evaporator AISI 304 Stainless Steel made, with rotating knife
- Cleanable antiscaling filter
- Easy cleaning thanks to rounded surfaces
- FDA approved -ABS plastic components
- Conformity to RoHS directive
- Automatic water charge
- Standard and special voltages
- Model in Tropical Class + 43 °C
- 1 m³ = 430 kg of ice

• Usable Bins

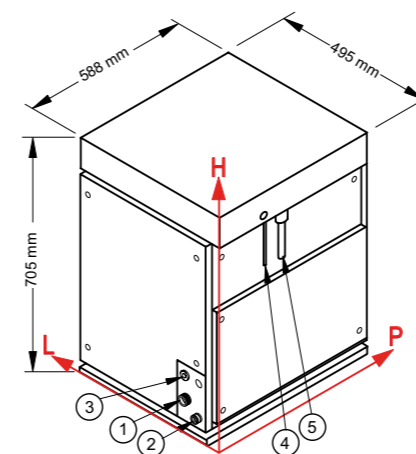
- Bin T830
- Bin 1200DD
- RB 280

• Certifications available for this model



**2 Years Warranty**

subject to limitations



• Connections

All measures are referred to the rear bottom-left corner (L-H-Ø)

- ① Water inlet:  
118 mm - 115 mm - 3/4"
- ② Water outlet:  
68 mm - 60 mm - 24 mm
- ③ Electrical connection:  
118 mm - 199 mm
- ④ Refrigerant feeding pipe
- ⑤ Outlet pipe of gaseous refrigerant

• Working conditions

- Location: Indoor

	Min	Max
Ambient temperature	+10° C	+43° C
Water temperature	+3° C	+32° C
Voltage	-10%	+10%
Water inlet pressure	1bar (14 psi)	6bar (84 psi)

• Technical information

Production in 24h	400 kg
Refrigerant	R404A - R507
Refrigerant capacity	2200 W (evap. temp. -23° C)
Standard voltage	220-240 V ~ 50 Hz
Electrical consumption	180 W
Sizes (L-P-H mm)	495 - 588 - 705
Sizes with pack (L-P-H mm)	550 - 655 - 900
Net weight	66 kg
Gross weight	82 kg
Finish	AISI 304 stainless steel, scotch brite

All the technical information must be considered at the following conditions:



Refrigerant capacity  
2200 W  
(evap. temp. -23° C)



Water temperature  
+15° C



Electrical consumption  
at +43° C  
(standard voltage)



**SPLIT 1300**

Modular ice maker up to 620 kg – Scale system

• Position n°



• Application fields

Hotel	●●●●●●●●	Fish market	●●●●●●●●
Restaurant	●●●●●●●●	Supermarket	●●●●●●●●
Fast food	●●●●●●●●	SPA	●●●●●●●●
Bar	●●●●●●●●	Medical	●●●●●●●●
Disco	●●●●●●●●	Industry	●●●●●●●●

• Features & Plus

- Subcooled flakes (from -5°C to -10°C)
- 1 m³ = 430 kg of ice
- Low consumption (1 liter water / 1 kg ice)
- AISI 304 SS Scotch Brite finish
- Evaporator anticorrosion alloy made, with rotating knife
- Cleanable antiscaling filter
- Easy cleaning thanks to rounded surfaces
- FDA approved -ABS plastic components
- Conformity to RoHS directive
- Automatic water charge
- Standard and special voltages
- Model in Tropical Class + 43 ° C

• Usable Bins

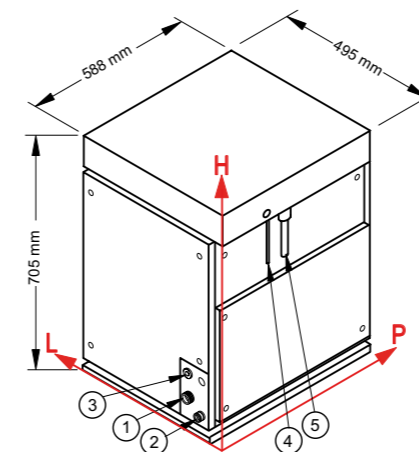
- Bin T830
- Bin 1200DD
- RB 280
- DRB 1100
- DRB 2500

• Certifications available for this model



**2 Years Warranty**

subject to limitations



• Connections

All measures are referred to the rear bottom-left corner (L-H-Ø)

- ① Water inlet:  
118 mm - 115 mm - 3/4"
- ② Water outlet:  
68 mm - 60 mm - 24 mm
- ③ Electrical connection:  
118 mm - 199 mm
- ④ Refrigerant feeding pipe
- ⑤ Outlet pipe of gaseous refrigerant

• Working conditions

- Location: Indoor

	Min	Max
Ambient temperature	+10° C	+43° C
Water temperature	+3° C	+32° C
Voltage	-10%	+10%
Water inlet pressure	1bar (14 psi)	6bar (84 psi)

• Technical information

Production in 24h	620 kg
Refrigerant	R404A - R507
Refrigerant capacity	3500 W (evap. temp. -22° C)
Standard voltage	220-240 V ~ 50 Hz
Electrical consumption	180 W
Sizes (L-P-H mm)	495 - 588 - 705
Sizes with pack (L-P-H mm)	550 - 655 - 900
Net weight	73 kg
Gross weight	89 kg
Finish	AISI 304 stainless steel, scotch brite

All the technical information must be considered at the following conditions:



Refrigerant capacity  
3500 W  
(evap. temp. -22° C)



Water temperature  
+15° C



Electrical consumption  
at +43° C  
(standard voltage)

Models and specifications are subject to change without notice  
Rev. 00 - Issued September 2016



**SPLIT 1300CO<sub>2</sub>**

Modular ice maker up to 620 kg – Scale system

• Position n°



• Application fields

Hotel	●●●●●●●●	Fish market	●●●●●●●●
Restaurant	●●●●●●●●	Supermarket	●●●●●●●●
Fast food	●●●●●●●●	SPA	●●●●●●●●
Bar	●●●●●●●●	Medical	●●●●●●●●
Disco	●●●●●●●●	Industry	●●●●●●●●

• Features & Plus

- Subcooled flakes (from -5°C to -10°C)
- 1 m<sup>3</sup> = 430 kg of ice
- Low consumption (1 liter water / 1 kg ice)
- AISI 304 SS Scotch Brite finish
- Evaporator anticorrosion alloy made, with rotating knife
- Cleanable antiscaling filter
- Easy cleaning thanks to rounded surfaces
- FDA approved -ABS plastic components
- Conformity to RoHS directive
- Automatic water charge
- Standard and special voltages
- Model in Tropical Class + 43 ° C
- Pressure limiting valve, PS up to 40 bar

• Usable Bins

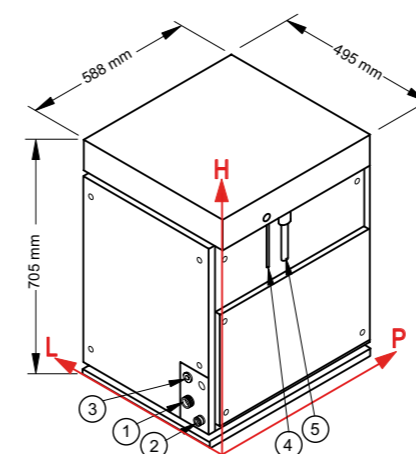
- Bin T830
- Bin 1200DD
- RB 280
- DRB 1100
- DRB 2500

• Certifications available for this model



**2 Years Warranty**

subject to limitations



• Connections

All measures are referred to the rear bottom-left corner (L-H-Ø)

- ① Water inlet:  
118 mm - 115 mm - 3/4"
- ② Water outlet:  
68 mm - 60 mm - 24 mm
- ③ Electrical connection:  
118 mm - 199 mm
- ④ Refrigerant feeding pipe
- ⑤ Outlet pipe of gaseous refrigerant

• Working conditions

- Location: Indoor

	Min	Max
Ambient temperature	+10° C	+43° C
Water temperature	+3° C	+32° C
Voltage	-10%	+10%
Water inlet pressure	1bar (14 psi)	6bar (84 psi)

• Technical information

Production in 24h	620 kg
Refrigerant	CO <sub>2</sub> (R744)
Refrigerant capacity	3500 W (evap. temp. -23° C)
PS suction side	580 PSI - 40bar
Standard voltage	220-240 V ~ 50 Hz
Electrical consumption	180 W
Sizes (L-P-H mm)	495 - 588 - 705
Sizes with pack (L-P-H mm)	550 - 655 - 900
Net weight	73 kg
Gross weight	89 kg
Finish	AISI 304 stainless steel, scotch brite

All the technical information must be considered at the following conditions:



Refrigerant capacity  
3500 W  
(evap. temp. -23° C)



Water temperature  
+15° C



Electrical consumption  
at +43° C  
(standard voltage)

Models and specifications are subject to change without notice  
Rev. 00 - Issued September 2016



**SPLIT 1750**

Modular ice maker up to 900 kg – Scale system

• Position n°



• Application fields

Hotel	●●●●●●●●	Fish market	●●●●●●●●
Restaurant	●●●●●●●●	Supermarket	●●●●●●●●
Fast food	●●●●●●●●	SPA	●●●●●●●●
Bar	●●●●●●●●	Medical	●●●●●●●●
Disco	●●●●●●●●	Industry	●●●●●●●●

• Features & Plus

- Subcooled flakes (from -5°C to -10°C)
- 1 m³ = 430 kg of ice
- Low consumption (1 liter water / 1 kg ice)
- AISI 304 SS Scotch Brite finish
- Evaporator AISI 304 Stainless Steel made, with rotating knife
- Cleanable antiscaling filter
- Easy cleaning thanks to rounded surfaces
- FDA approved -ABS plastic components
- Conformity to RoHS directive
- Automatic water charge
- Standard and special voltages
- Model in Tropical Class + 43 °C

• Usable Bins

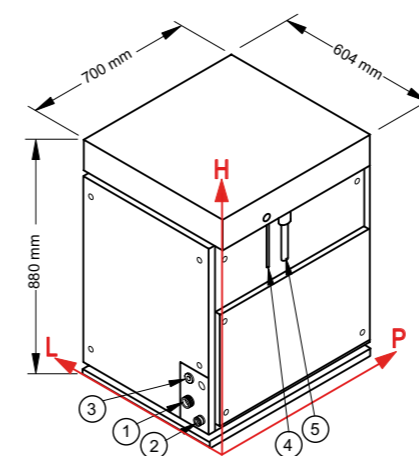
- Bin 1200DD
- DRB 1100
- DRB 2500

• Certifications available for this model



**2 Years Warranty**

subject to limitations



• Connections

All measures are referred to the rear bottom-left corner (L-H-Ø)

- ① Water inlet:  
123 mm - 120 mm - 3/4"
- ② Water outlet:  
78 mm - 65 mm - 24 mm
- ③ Electrical connection:  
123 mm - 204 mm
- ④ Refrigerant feeding pipe
- ⑤ Outlet pipe of gaseous refrigerant

• Working conditions

- Location: Indoor

	Min	Max
Ambient temperature	+10° C	+43° C
Water temperature	+3° C	+32° C
Voltage	-10%	+10%
Water inlet pressure	1bar (14 psi)	6bar (84 psi)

• Technical information

Production in 24h	900 kg
Refrigerant	R404A - R507
Refrigerant capacity	5000 W (evap. temp. -23° C)
Standard voltage	220-240 V ~ 50 Hz
Electrical consumption	180 W
Sizes (L-P-H mm)	604 - 700 - 880
Sizes with pack (L-P-H mm)	655 - 785 - 1055
Net weight	138 kg
Gross weight	153 kg
Finish	AISI 304 stainless steel, scotch brite

All the technical information must be considered at the following conditions:



Refrigerant capacity  
5000 W  
(evap. temp. -23° C)



Water temperature  
+15° C



Electrical consumption  
at +43° C  
(standard voltage)

Models and specifications are subject to change without notice  
Rev. 00 - Issued September 2016



**SPLIT 2200CO<sub>2</sub>**

Modular ice maker up to 1040 kg – Scale system

• Position n°



• Application fields

Hotel	●●●●●●●●	Fish market	●●●●●●●●
Restaurant	●●●●●●●●	Supermarket	●●●●●●●●
Fast food	●●●●●●●●	SPA	●●●●●●●●
Bar	●●●●●●●●	Medical	●●●●●●●●
Disco	●●●●●●●●	Industry	●●●●●●●●

• Features & Plus

- Subcooled flakes (from -5°C to -10°C)
- 1 m<sup>3</sup> = 430 kg of ice
- Low consumption (1 liter water / 1 kg ice)
- AISI 304 SS Scotch Brite finish
- Evaporator anticorrosion alloy made, with rotating knife
- Cleanable antiscaling filter
- Easy cleaning thanks to rounded surfaces
- FDA approved -ABS plastic components
- Conformity to RoHS directive
- Automatic water charge
- Standard and special voltages
- Model in Tropical Class + 43 ° C
- Pressure limiting valve, PS up to 40 bar

• Usable Bins

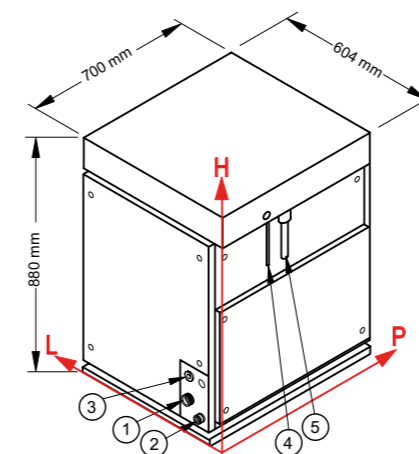
- Bin 1200DD
- DRB 1100
- DRB 2500

• Certifications available for this model



**2 Years Warranty**

subject to limitations



• Connections

All measures are referred to the rear bottom-left corner (L-H-Ø)

- ① Water inlet:  
123 mm - 120 mm - 3/4"
- ② Water outlet:  
78 mm - 65 mm - 24 mm
- ③ Electrical connection:  
123 mm - 204 mm
- ④ Refrigerant feeding pipe
- ⑤ Outlet pipe of gaseous refrigerant

• Working conditions

- Location: Indoor

	Min	Max
Ambient temperature	+10° C	+43° C
Water temperature	+3° C	+32° C
Voltage	-10%	+10%
Water inlet pressure	1bar (14 psi)	6bar (84 psi)

• Technical information

Production in 24h	1040 kg
Refrigerant	CO <sub>2</sub> (R744)
Refrigerant capacity	5000 W (evap. temp. -23° C)
PS suction side	580 PSI - 40bar
Standard voltage	220-240 V ~ 50 Hz
Electrical consumption	180 W
Sizes (L-P-H mm)	604 - 700 - 880
Sizes with pack (L-P-H mm)	655 - 785 - 1055
Net weight	138 kg
Gross weight	153 kg
Finish	AISI 304 stainless steel, scotch brite

All the technical information must be considered at the following conditions:



Refrigerant capacity  
5000 W  
(evap. temp. -23° C)



Water temperature  
+15° C



Electrical consumption  
at +43° C  
(standard voltage)

Models and specifications are subject to change without notice  
Rev. 00 - Issued September 2016





**SPLIT 3300**

Modular ice maker up to 1500 kg – Scale system

• Position n°



• Application fields

Hotel	●●●●●●●●	Fish market	●●●●●●●●
Restaurant	●●●●●●●●	Supermarket	●●●●●●●●
Fast food	●●●●●●●●	SPA	●●●●●●●●
Bar	●●●●●●●●	Medical	●●●●●●●●
Disco	●●●●●●●●	Industry	●●●●●●●●

• Features & Plus

- Subcooled flakes (from -5°C to -10°C)
- 1 m³ = 430 kg of ice
- Low consumption (1 liter water / 1 kg ice)
- AISI 304 SS Scotch Brite finish
- Evaporator anticorrosion alloy made, with rotating knife
- Cleanable antiscaling filter
- Easy cleaning thanks to rounded surfaces
- FDA approved -ABS plastic components
- Conformity to RoHS directive
- Automatic water charge
- Standard and special voltages
- Model in Tropical Class + 43 °C

• Usable Bins

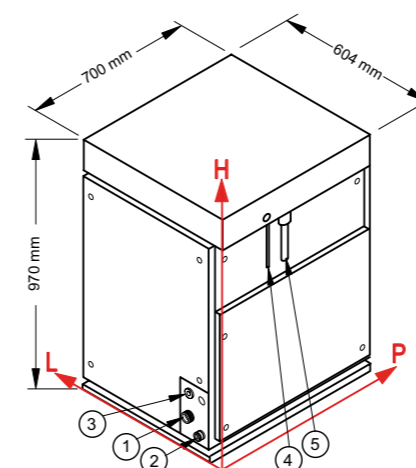
- Bin 1200DD
- DRB 1100
- DRB 2500

• Certifications available for this model



**2 Years Warranty**

subject to limitations



• Connections

All measures are referred to the rear bottom-left corner (L-H-Ø)

- ① Water inlet:  
123 mm - 120 mm - 3/4"
- ② Water outlet:  
78 mm - 65 mm - 24 mm
- ③ Electrical connection:  
123 mm - 204 mm
- ④ Refrigerant feeding pipe
- ⑤ Outlet pipe of gaseous refrigerant

• Working conditions

- Location: Indoor

	Min	Max
Ambient temperature	+10° C	+43° C
Water temperature	+3° C	+32° C
Voltage	-10%	+10%
Water inlet pressure	1bar (14 psi)	6bar (84 psi)

• Technical information

Production in 24h	1500 kg
Refrigerant	R404A - R507
Refrigerant capacity	8550 W (evap. temp. -24° C)
Standard voltage	220-240 V ~ 50 Hz
Electrical consumption	180 W
Sizes (L-P-H mm)	604 - 700 - 970
Sizes with pack (L-P-H mm)	655 - 785 - 1145
Net weight	144 kg
Gross weight	160 kg
Finish	AISI 304 stainless steel, scotch brite

All the technical information must be considered at the following conditions:



Refrigerant capacity  
8550 W  
(evap. temp. -24° C)



Water temperature  
+15° C



Electrical consumption  
at +43° C  
(standard voltage)

Models and specifications are subject to change without notice  
Rev. 00 - Issued September 2016



**SPLIT 3300CO<sub>2</sub>**

Modular ice maker up to 1520 kg – Scale system

• Position n°



• Application fields

Hotel	●●●●●●●●	Fish market	●●●●●●●●
Restaurant	●●●●●●●●	Supermarket	●●●●●●●●
Fast food	●●●●●●●●	SPA	●●●●●●●●
Bar	●●●●●●●●	Medical	●●●●●●●●
Disco	●●●●●●●●	Industry	●●●●●●●●

• Features & Plus

- Subcooled flakes (from -5°C to -10°C)
- 1 m<sup>3</sup> = 430 kg of ice
- Low consumption (1 liter water / 1 kg ice)
- AISI 304 SS Scotch Brite finish
- Evaporator anticorrosion alloy made, with rotating knife
- Cleanable antiscaling filter
- Easy cleaning thanks to rounded surfaces
- FDA approved -ABS plastic components
- Conformity to RoHS directive
- Automatic water charge
- Standard and special voltages
- Model in Tropical Class + 43 ° C
- Pressure limiting valve, PS up to 40 bar

• Usable Bins

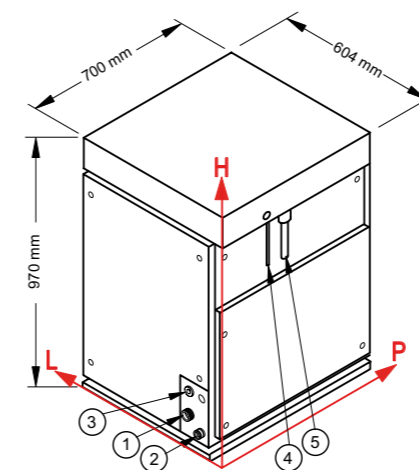
- Bin 1200DD
- DRB 1100
- DRB 2500

• Certifications available for this model



**2 Years Warranty**

subject to limitations



• Connections

All measures are referred to the rear bottom-left corner (L-H-Ø)

- ① Water inlet:  
123 mm - 120 mm - 3/4"
- ② Water outlet:  
78 mm - 65 mm - 24 mm
- ③ Electrical connection:  
123 mm - 204 mm
- ④ Refrigerant feeding pipe
- ⑤ Outlet pipe of gaseous refrigerant

• Working conditions

- Location: Indoor

	Min	Max
Ambient temperature	+10° C	+43° C
Water temperature	+3° C	+32° C
Voltage	-10%	+10%
Water inlet pressure	1bar (14 psi)	6bar (84 psi)

• Technical information

Production in 24h	1520 kg
Refrigerant	CO <sub>2</sub> (R744)
Refrigerant capacity	8550 W (evap. temp. -23° C)
PS suction side	580 PSI - 40bar
Standard voltage	220-240 V ~ 50 Hz
Electrical consumption	180 W
Sizes (L-P-H mm)	604 - 700 - 970
Sizes with pack (L-P-H mm)	655 - 785 - 1145
Net weight	144 kg
Gross weight	160 kg
Finish	AISI 304 stainless steel, scotch brite

All the technical information must be considered at the following conditions:



Refrigerant capacity  
8550 W  
(evap. temp. -23° C)



Water temperature  
+15° C



Electrical consumption  
at +43° C  
(standard voltage)



**SPLIT 4500**

Modular ice maker up to 2300 kg – Scale system

• Position n°

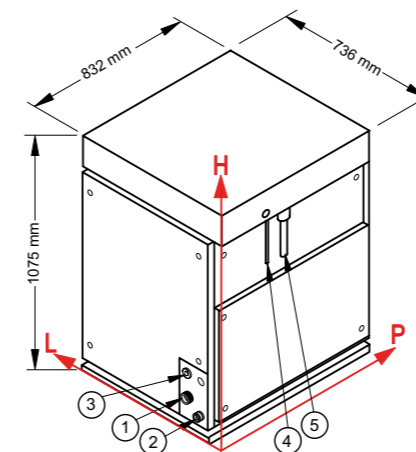


• Application fields

Hotel	●●●●●●●●	Fish market	●●●●●●●●
Restaurant	●●●●●●●●	Supermarket	●●●●●●●●
Fast food	●●●●●●●●	SPA	●●●●●●●●
Bar	●●●●●●●●	Medical	●●●●●●●●
Disco	●●●●●●●●	Industry	●●●●●●●●

• Features & Plus

- Subcooled flakes (from -5°C to -10°C)
- 1 m<sup>3</sup> = 430 kg of ice
- Low consumption (1 liter water / 1 kg ice)
- AISI 304 SS Scotch Brite finish
- Evaporator AISI 304 Stainless Steel made, with rotating knife
- Cleanable antiscaling filter
- Easy cleaning thanks to rounded surfaces
- FDA approved -ABS plastic components
- Conformity to RoHS directive
- Automatic water charge
- Standard and special voltages
- Model in Tropical Class + 43 °C



• Working conditions

- Location: Indoor

	Min	Max
Ambient temperature	+10° C	+43° C
Water temperature	+3° C	+32° C
Voltage	-10%	+10%
Water inlet pressure	1bar (14 psi)	6bar (84 psi)

• Technical information

Production in 24h	2300 kg
Refrigerant	R404A - R507
Refrigerant capacity	12000 W (evap. temp. -27° C)
Standard voltage	400-415 V ~ 3N 50 Hz
Electrical consumption	180 W
Sizes (L-P-H mm)	736 - 832 - 1075
Sizes with pack (L-P-H mm)	830 - 946 - 1345
Net weight	300 kg
Gross weight	328 kg
Finish	AISI 304 stainless steel, scotch brite

• Connections

All measures are referred to the rear bottom-left corner (L-H-Ø)

- ① Water inlet:  
123 mm - 120 mm - 3/4"
- ② Water outlet:  
78 mm - 65 mm - 24 mm
- ③ Electrical connection:  
123 mm - 204 mm
- ④ Refrigerant feeding pipe
- ⑤ Outlet pipe of gaseous refrigerant

All the technical information must be considered at the following conditions:



Refrigerant capacity  
12000 W  
(evap. temp. -27° C)



Water temperature  
+15° C



Electrical consumption  
at +43° C  
(standard voltage)

Models and specifications are subject to change without notice  
Rev. 00 - Issued September 2016

**2 Years Warranty**

subject to limitations

• Certifications available for this model





D 30



Ice Dispenser for Frozen Run and Frozen Stone

• Position n°



• Application fields

Frozen Run

Hotel	●●●●●●●●	Fish market	●●●●●●●●
Restaurant	●●●●●●●●	Supermarket	●●●●●●●●
Fast food	●●●●●●●●	SPA	●●●●●●●●
Bar	●●●●●●●●	Medical	●●●●●●●●
Disco	●●●●●●●●	Industry	●●●●●●●●

Frozen Stone

Hotel	●●●●●●●●	Fish market	●●●●●●●●
Restaurant	●●●●●●●●	Supermarket	●●●●●●●●
Fast food	●●●●●●●●	SPA	●●●●●●●●
Bar	●●●●●●●●	Medical	●●●●●●●●
Disco	●●●●●●●●	Industry	●●●●●●●●

• Features & Plus

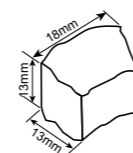
- Ice dispenser
- To be combined with CV 350 (flat cube 7 gr) or MGT 560 (nuggets)
- External structure AISI 304 Scotch Brite
- Stainless steel support available as optional

• Usable with

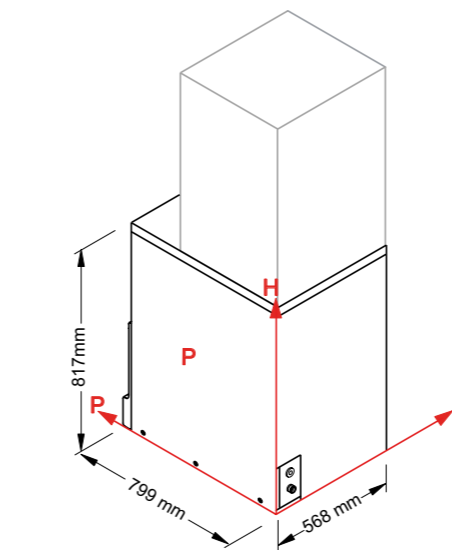
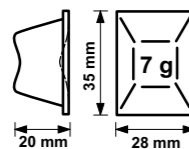
- CV 350
- MGT 560

• Available pebble size

Drawing for reference only



• Available dice size



• Connections

All measures are referred to the rear bottom-left corner (L-H-Ø)

- ① Water outlet: 95 mm - 40 mm - 24 mm
- ② Electrical connection: 86 mm - 90 mm

• Working conditions

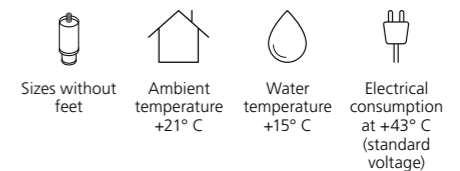
- Location: Indoor

	Min	Max
Ambient temperature	+10° C	+43° C
Water temperature	+3° C	+32° C
Voltage	-10%	+10%
Water inlet pressure	1bar (14 psi)	6bar (84 psi)

• Technical information

Store capacity, up to	18 kg   21 kg
Kind of cube	7 g   13 x 18 x 13
Standard voltage	220-240 V ~ 50 Hz
Electrical consumption	240 W
Sizes (L-P-H mm)	568 - 799 - 817
Sizes with pack (L-P-H mm)	600 - 900 - 1030
Net weight	58 kg
Gross weight	66 kg
Finish	AISI 304 stainless steel, scotch brite

All the technical information must be considered at the following conditions:



Models and specifications are subject to change without notice  
Rev. 00 - Issued September 2016

2 Years Warranty

subject to limitations

• Certifications available for this model





**BIN PE530**



BACK TO  
ICE MAKERS  
LIST

PREVIOUS

NEXT

BIN – Storage Capacity up to 190 kg

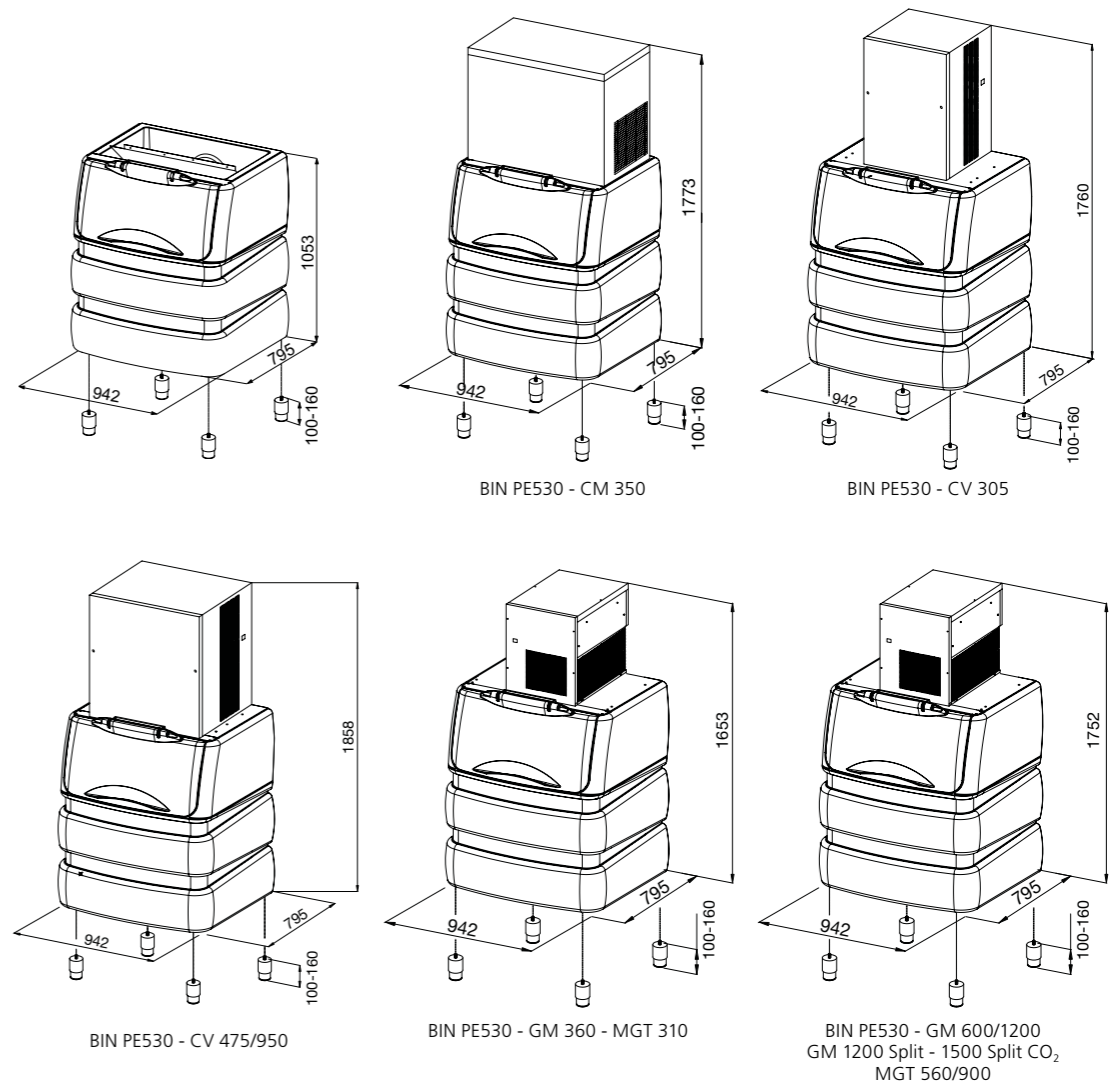
● **Technical information**

Store capacity, up to	190 kg
Sizes (L-P-H mm) *	942 - 795 - 1053
Sizes with pack (L-P-H mm)	1035 - 885 - 1275
Net weight	61 kg
Gross weight	92 kg
Finish	Polyethylene

● **Usable with**

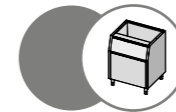
- CM 350
- CV 305-475-950
- GM 360-600-1200
- GM 1200 Split
- GM 1500 Split CO<sub>2</sub>
- MGT 310-560-900

\* Adjustable foot 100-160 mm





**BIN T250**



BIN – Storage Capacity up to 100 kg

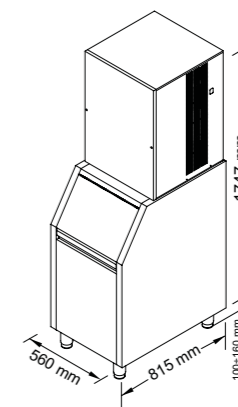
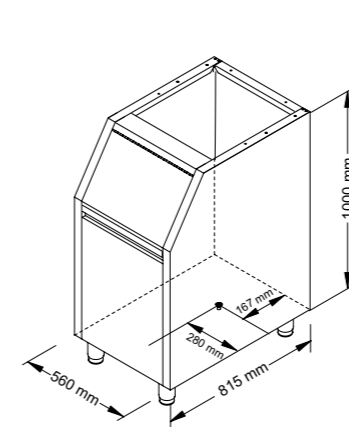
● **Technical information**

Store capacity, up to	100 kg
Sizes (L-P-H mm) *	560 - 815 - 1000
Sizes with pack (L-P-H mm)	620 - 880 - 1175
Net weight	53 kg
Gross weight	65 kg
Finish	AISI 304 stainless steel, scotch brite

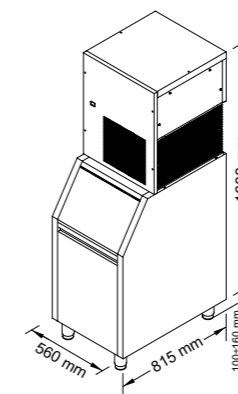
● **Usable with**

- CV 305
- GM 360-600-1200
- GM 1200 Split
- GM 1500 Split CO<sub>2</sub>
- MGT 310-560-900

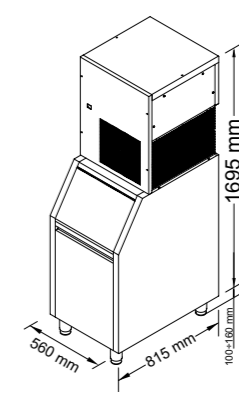
\* Adjustable foot 100-160 mm



BIN T250 - CV 305



BIN T250 - GM 360 - MGT 310



BIN T250 - GM 600/1200 - GM 1200 Split  
- GM 1500 Split CO<sub>2</sub> - MGT 560/900

BACK TO  
ICE MAKERS  
LIST

PREVIOUS

NEXT

**BIN T420**

BIN – Storage Capacity up to 200 kg

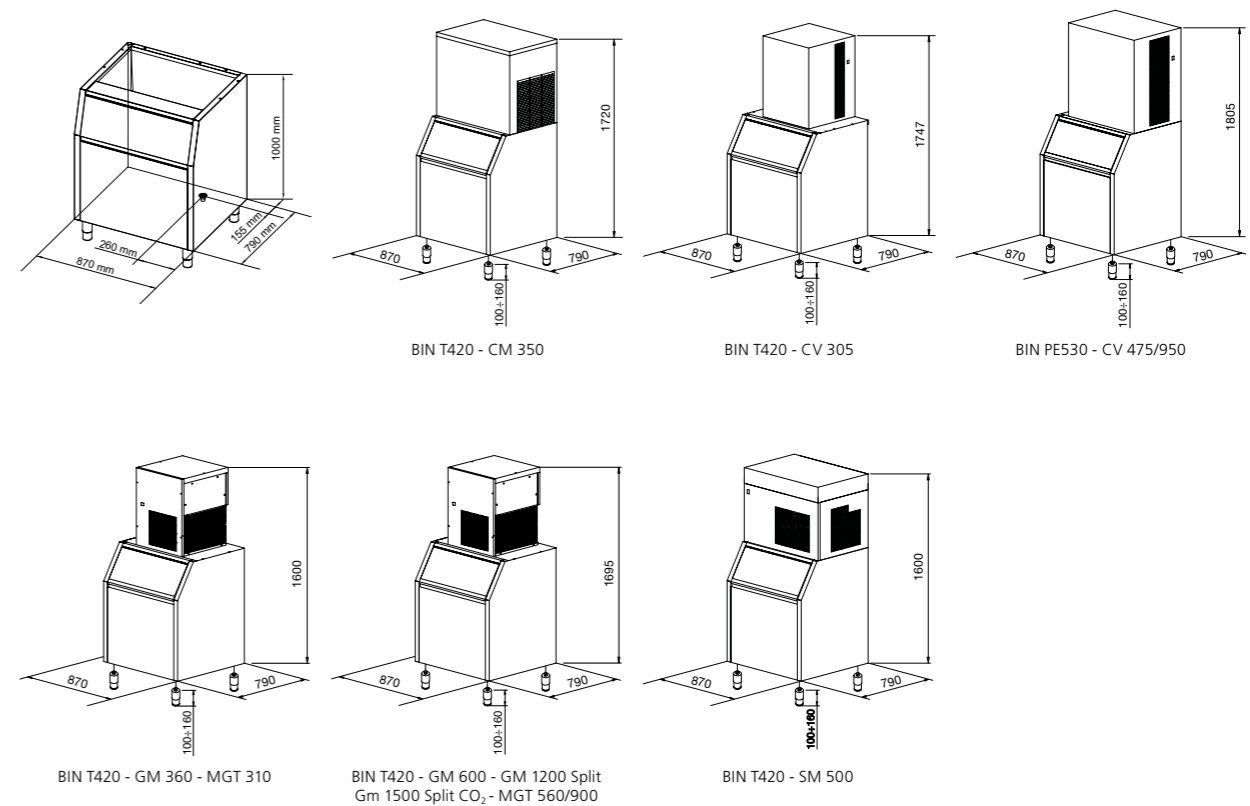
## ● Technical information

Store capacity, up to	200 kg
Sizes (L-P-H mm) *	870 - 790 - 1000
Sizes with pack (L-P-H mm)	920 - 840 - 1210
Net weight	74 kg
Gross weight	93 kg
Finish	AISI 304 stainless steel, scotch brite

## ● Usable with

- CM 350
- CV 305-475-950
- GM 360-600-1200
- GM 1200 Split
- GM 1500 Split CO<sub>2</sub>
- MGT 310-560-900
- SM 500

\* Adjustable foot 100-160 mm





**BIN T830**



BIN – Storage Capacity up to 350 kg

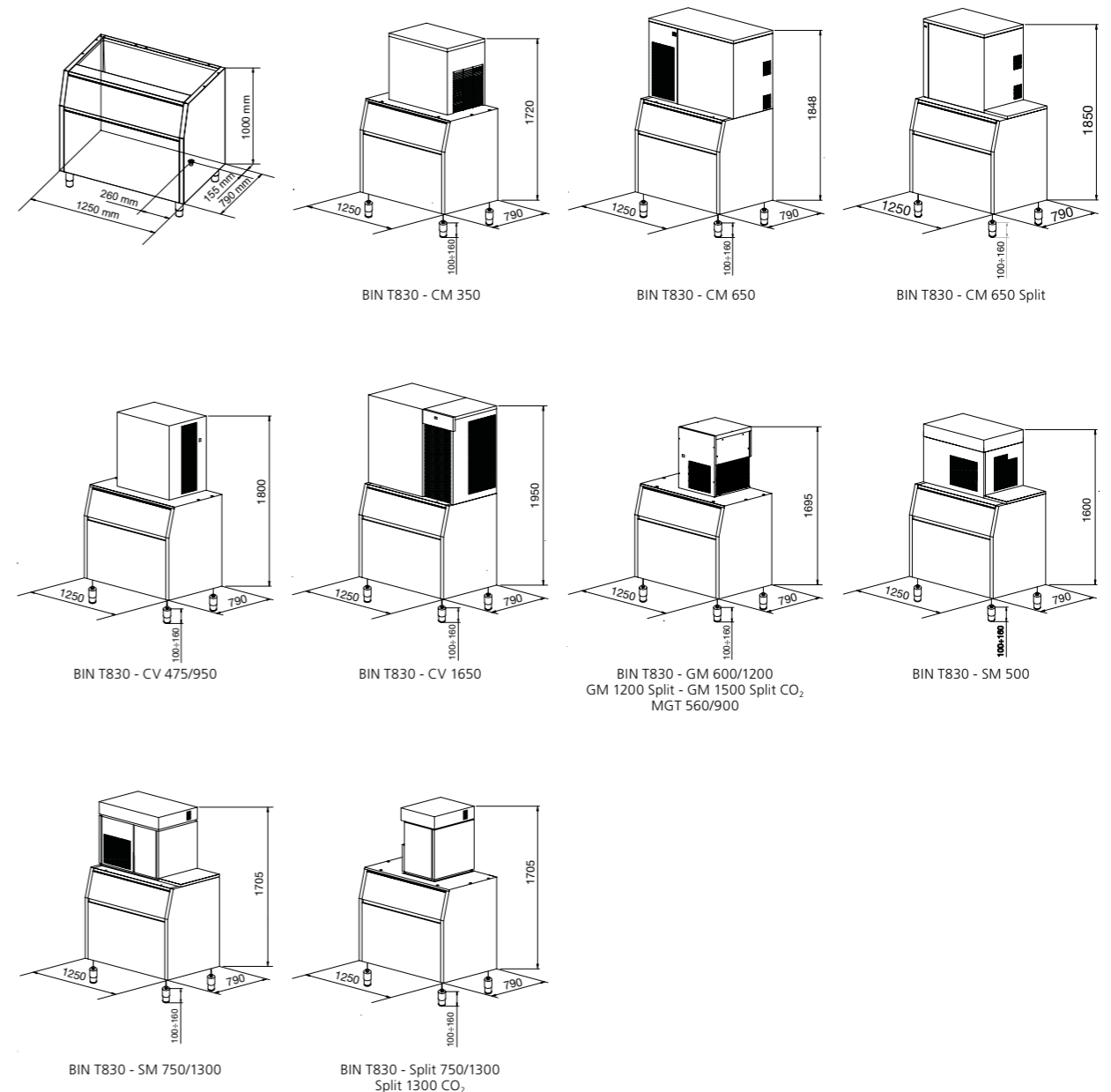
● **Technical information**

Store capacity, up to	350 kg
Sizes (L-P-H mm) *	1250 - 790 - 1000
Sizes with pack (L-P-H mm)	1300 - 850 - 1180
Net weight	105 kg
Gross weight	126 kg
Finish	AISI 304 stainless steel, scotch brite

● **Utilizzabile con**

- |                   |                                 |
|-------------------|---------------------------------|
| - CM 350-650      | - GM 1500 Split CO <sub>2</sub> |
| - CM 650 Split    | - MGT 560-900                   |
| - CV 475-950-1650 | - SM 500-750-1300               |
| - GM 600-1200     | - Split 750-1300                |
| - GM 1200 Split   | - Split 1300 CO <sub>2</sub>    |

\* Adjustable foot 100-160 mm







**BIN 1200 DD**



BIN – Storage Capacity up to 550 kg

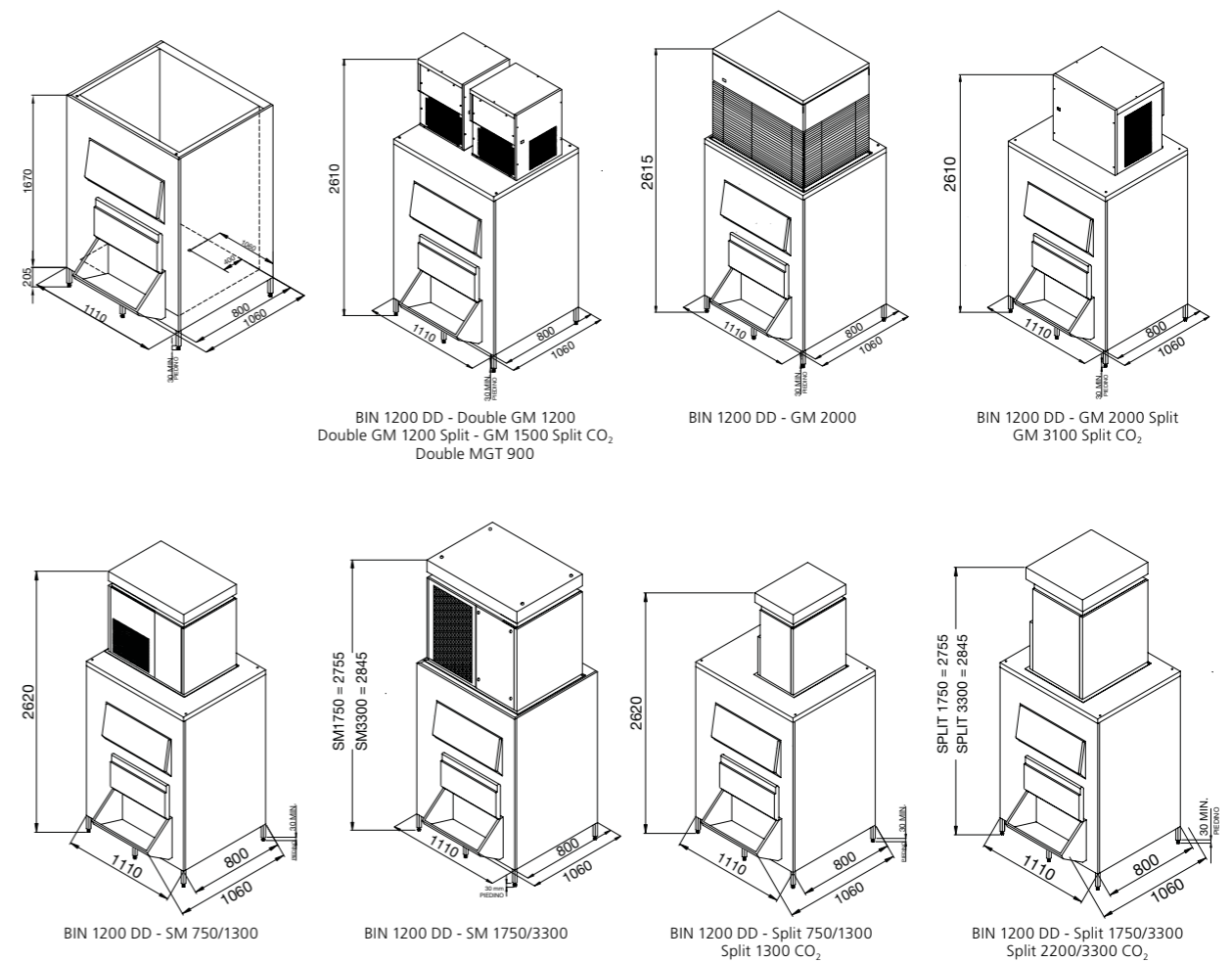
● **Technical information**

Store capacity, up to	550 kg
Sizes (L-P-H mm)	1110 - 1060 - 1915
Sizes with pack (L-P-H mm)	1280 - 1235 - 1960
Net weight	163 kg
Gross weight	177 kg
Finish	AISI 304 stainless steel, scotch brite

● **Usable with**

- GM 1200 °°
- GM 1200 Split °°
- GM 1500 Split CO<sub>2</sub>
- GM 2000
- GM 2000 Split
- GM 3100 Split CO<sub>2</sub>
- MGT 900 °°
- SM 750-1300-1750-3300
- Split 750-1300-1750-3300
- Split 1300-2200-3300 CO<sub>2</sub>

°° Double application of the ice maker



BACK TO  
ICE MAKERS  
LIST

PREVIOUS

NEXT

**RB 140**

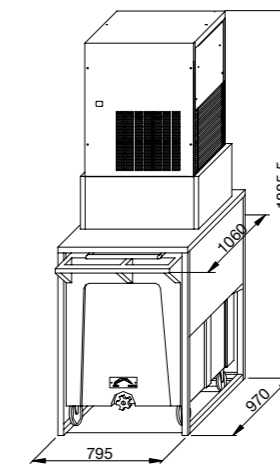
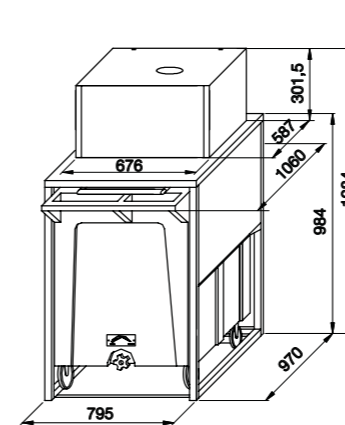
BIN – Storage Capacity up to 125 kg

## ● Technical information

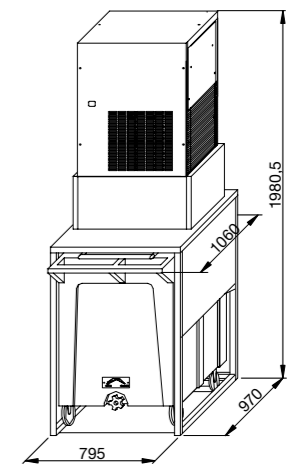
Store capacity, up to	108 kg
Bay store capacity	17 kg
Sizes (L-P-H mm)	795 - 1060 - 1284
Sizes with pack (L-P-H mm)	860 - 1125 - 1145
Net weight	64 kg
Gross weight	80 kg
Finish	AISI 304 stainless steel, scotch brite

## ● Usable with

- GM 360-600-1200
- GM 1200 Split
- GM 1500 Split CO<sub>2</sub>
- MGT 310-560-900



RB 140 - GM 360 - MGT 310

RB 140 - GM 600/1200  
GM 1200 Split - GM 1500 Split CO<sub>2</sub>  
MGT 560/900



**RB 280**



BACK TO  
ICE MAKERS  
LIST

PREVIOUS

NEXT

BIN - Storage Capacity up to 266 kg

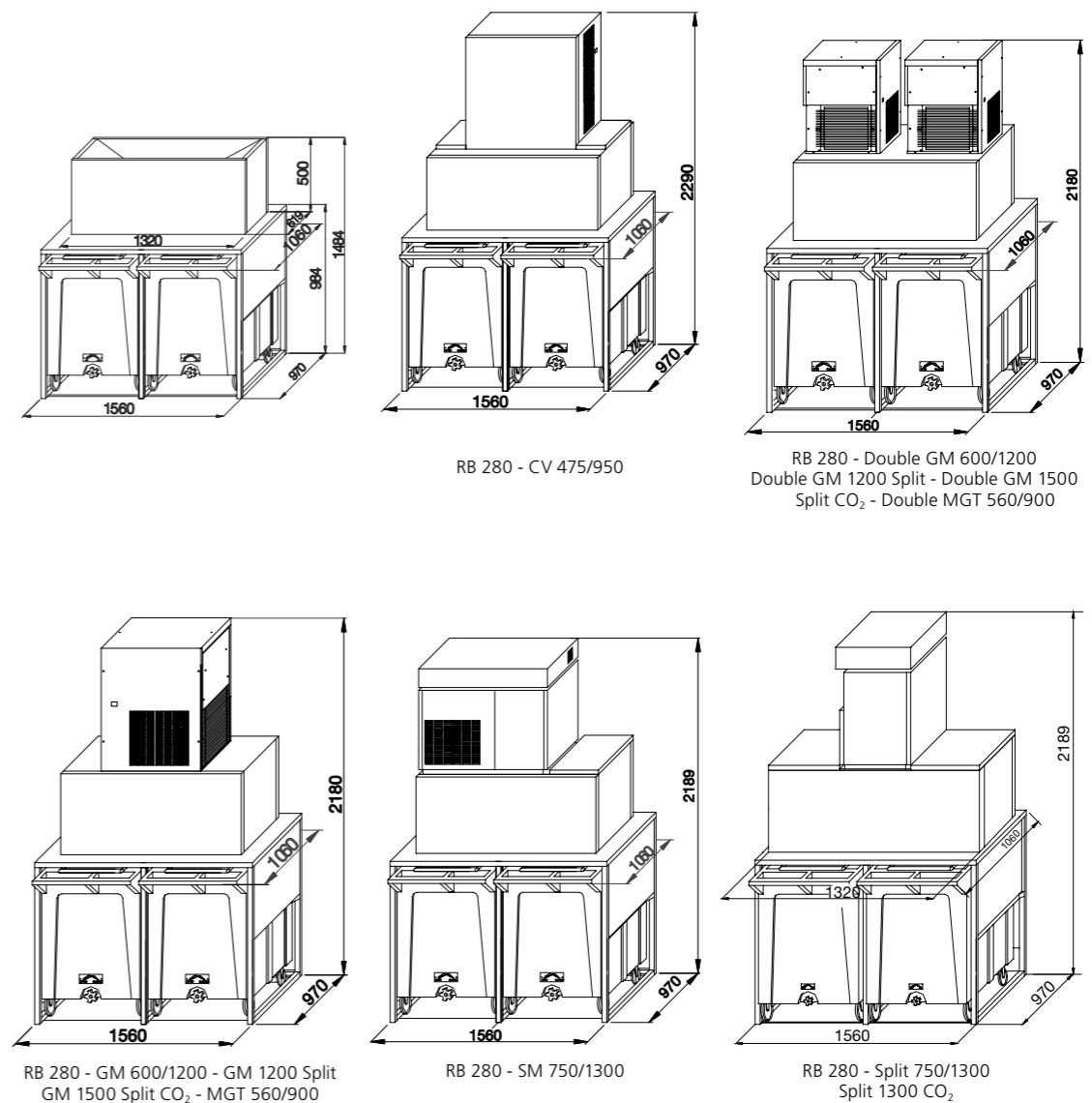
● Technical information

Store capacity, up to	108 kg x 2
Bay store capacity	50 kg
Sizes (L-P-H mm)	1560 - 1060 - 1484
Sizes with pack (L-P-H mm)	1625 - 1125 - 1655
Net weight	135 kg
Gross weight	170 kg
Finish	AISI 304 stainless steel, scotch brite

● Usable with

- CV 475-950
- GM 600-1200 °
- GM 1200 Split °
- GM 1500 Split CO<sub>2</sub> °
- MGT 560-900 °
- SM 750-1300
- Split 750-1300
- Split 1300 CO<sub>2</sub>

° Single or double application of the ice maker





**DRB 1100**

BIN – Storage Capacity up to 516 kg

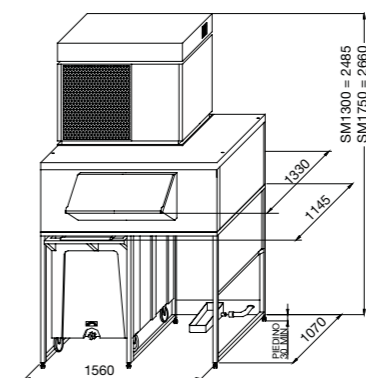
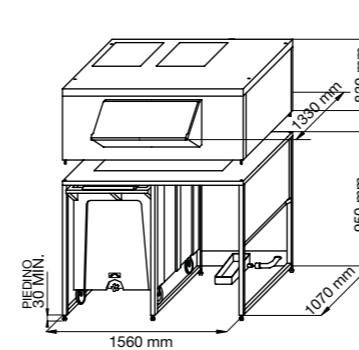
● **Technical information**

Store capacity, up to	108 kg x 2
Bay store capacity	300 kg
Sizes (L-P-H mm)	1560 - 1330 - 1780
Sizes with pack (L-P-H mm)	1630 - 1200 - 1145 (x2)
Net weight	204 kg
Gross weight	307 kg
Finish	AISI 304 stainless steel, scotch brite

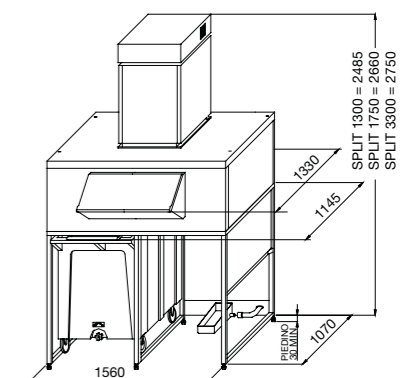
● **Usable with**

- GM 1200 °°
- GM 1200 Split °°
- GM 1500 Split CO<sub>2</sub> °°
- GM 2000
- GM 2000 Split
- GM 3100 Split CO<sub>2</sub>
- MGT 900 °°
- SM 1300-1750-3300
- Split 1300-1750-3300
- Split 1300-2200-3300 CO<sub>2</sub>

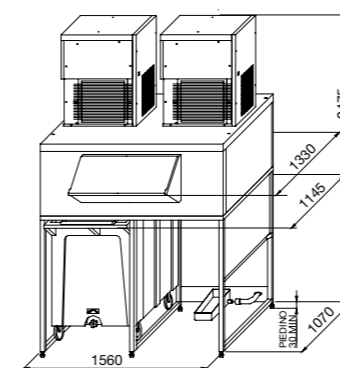
°° Double application of the ice maker



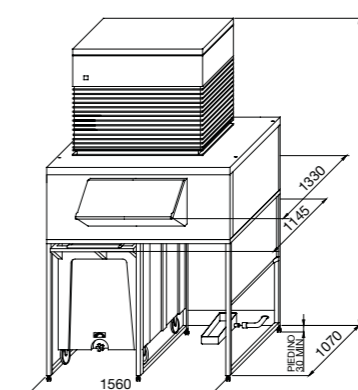
DRB 1100 - SM 1300/1750/3300



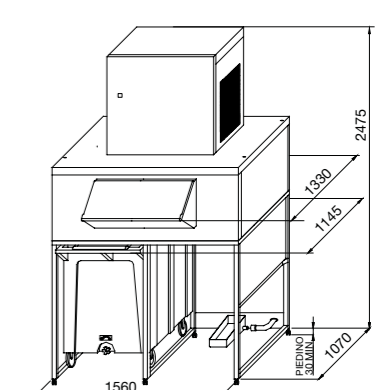
DRB 1100 - Split 1300/1750/3300  
Split 1300/2200/3300 CO<sub>2</sub>



DRB 1100 - Double GM 1200  
Double GM 1200 Split - 1500 Split CO<sub>2</sub>  
Double MGT 900



DRB 1100 - GM 2000



DRB 1100 - GM 2000 Split  
GM 3100 Split CO<sub>2</sub>



**DRB 2500**



**BIN - Storage Capacity up to 1216 kg**

**● Technical information**

Store capacity, up to	108 kg x 2
Bay store capacity	1000 kg
Sizes (L-P-H mm)	1560 - 1330 - 2460
Sizes with pack (L-P-H mm)	1630 - 1200 - 1145 (x3)
Net weight	251 kg
Gross weight	404 kg
Finish	AISI 304 stainless steel, scotch brite

**● Usable with**

- GM 1200 °°
- GM 1200 Split °°
- GM 1500 Split CO<sub>2</sub> °°
- GM 2000
- GM 2000 Split
- GM 3100 Split CO<sub>2</sub>
- MGT 900 °°
- SM 1300-1750-3300
- Split 1300 °° -1750-3300
- Split 1300 °° -2200-3300 CO<sub>2</sub>

°° Double application of the ice maker

