

1 2 3 4 5 6 7 8

A

B

C

D

E

F

A

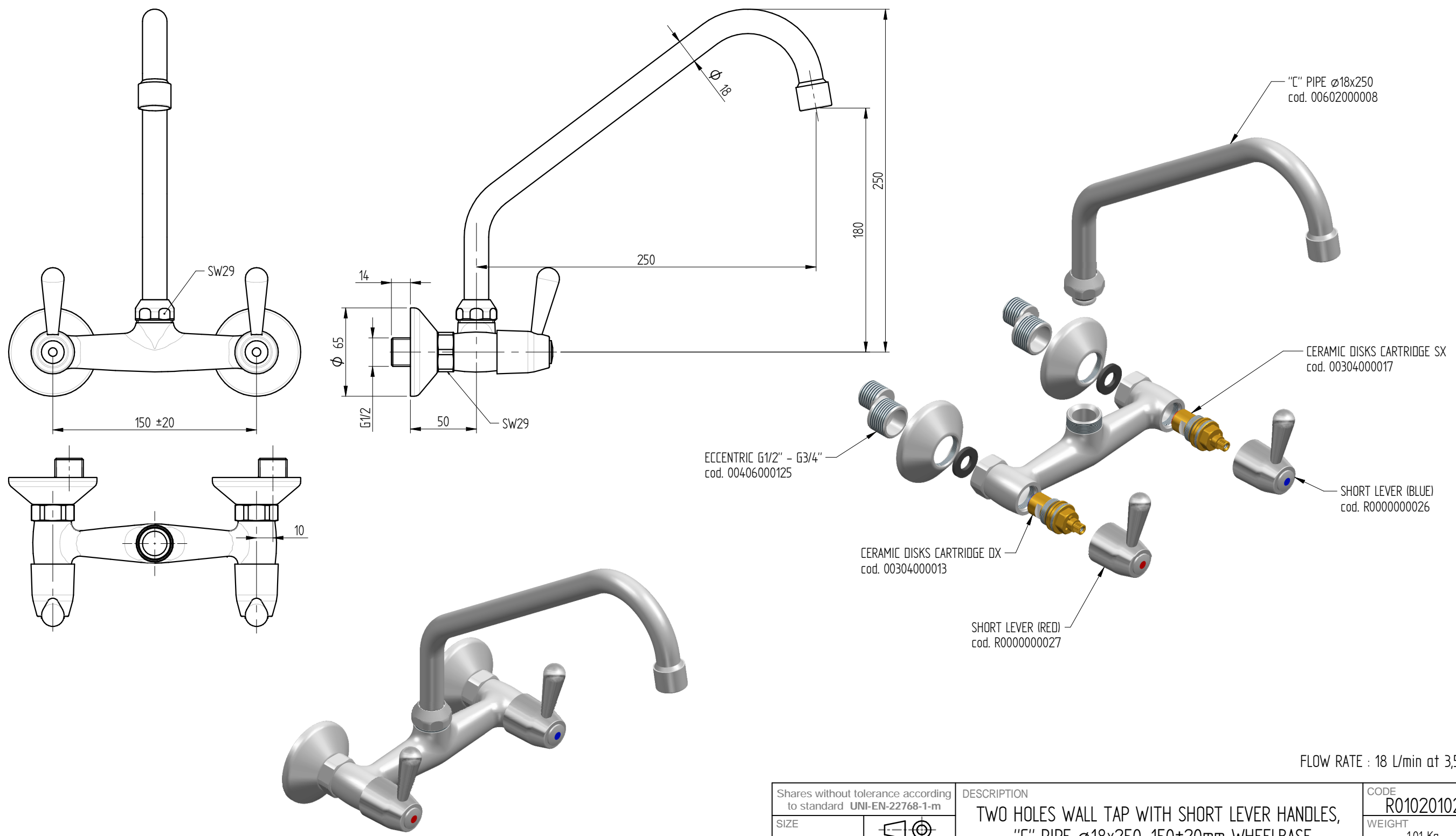
B

C

D

E

F



FLOW RATE : 18 L/min at 3,5 BAR

Shares without tolerance according to standard UNI-EN-22768-1-m		DESCRIPTION	CODE
SIZE	 European Projection	TWO HOLES WALL TAP WITH SHORT LEVER HANDLES, "L" PIPE $\varnothing 18 \times 250$. 150 \pm 20mm WHEELBASE	R0102010210
A3			WEIGHT
DATE	SCALE		1,01 Kg
01-10-2018	13		
DRAWN		 DESIGN AND TECHNOLOGICAL RESEARCH FOR WATER	
PICCOLO M.			
VALIDATE		VIA DELL'ARTIGIANO 8/F-8-G , 31050 MONASTIER di TREVISO (TV) tel: 0422 842157 - fax: 0422 708978	
PICCOLO M.		DONE WITH DESIGN CAD - PROHIBITED THE CHANGES MANUAL	

1 2 3 4 5 6 7 8