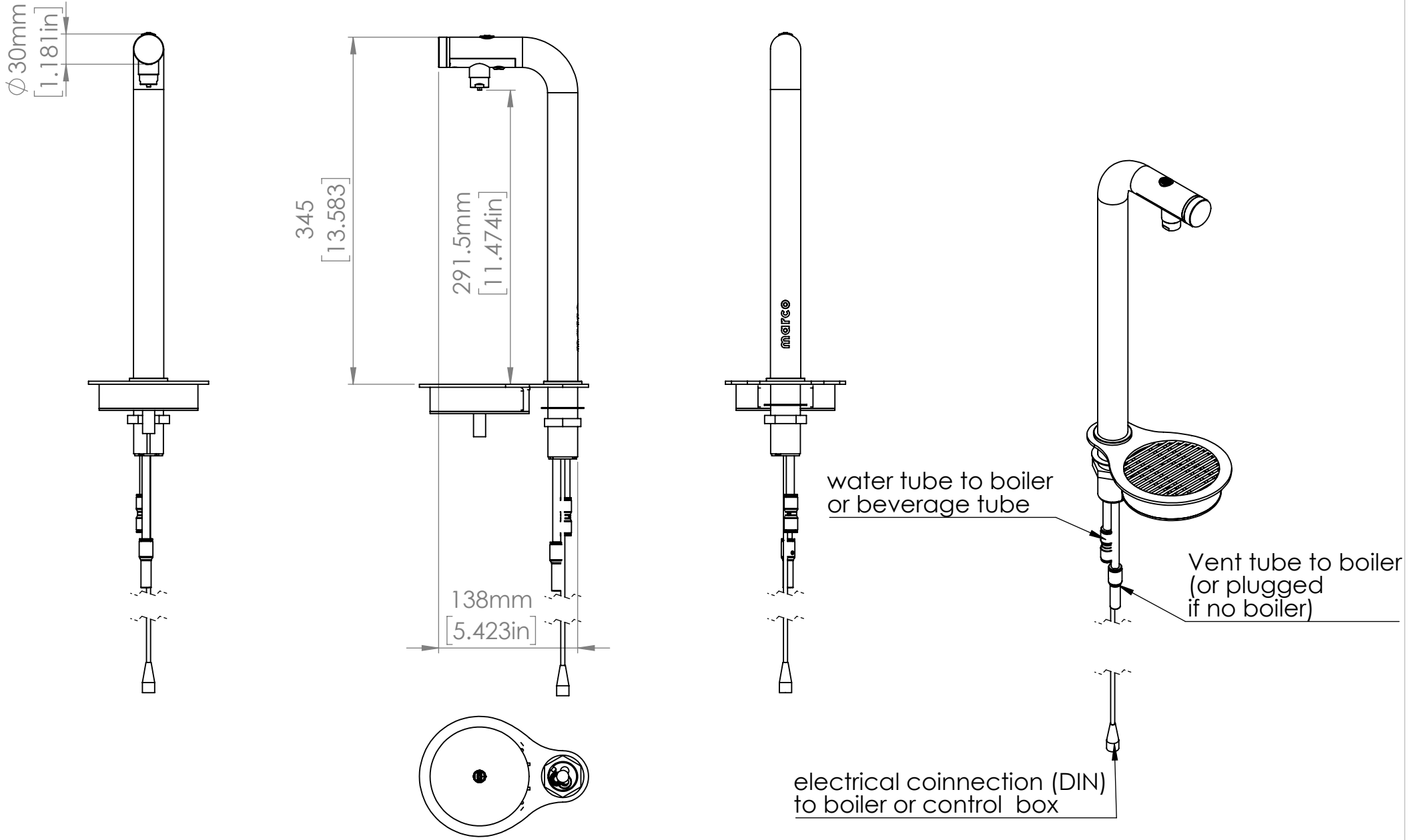


UNLESS OTHERWISE SPECIFIED:
 DIMENSIONS ARE IN MILLIMETERS
 TOLERANCES: LINEAR: +/-0.2mm
 ANGULAR: +/-0.5°

DESCRIPTION:	Una Font	DRAWN BY	JL	18/11/2020
DWG NO.:	1000859	APPROVED BY	DW	18/11/2020
MATERIAL:	-	REVISION	C	CO: 608
				SCALE: 1:5



UNLESS OTHERWISE SPECIFIED:
 DIMENSIONS ARE IN MILLIMETERS
 TOLERANCES: LINEAR: +/-0.2mm
 ANGULAR: +/-0.5°

DESCRIPTION:	Una Font
DWG NO.:	1000858
MATERIAL:	-

DRAWN BY	JL	18/11/2020
APPROVED BY	DW	18/11/2020
REVISION	C	CO: 608
		SCALE: 1:5